



Bianchi

2 0 1 1

INDEX

A LONG LINE OF RECORDS	3
LATEST TECHNOLOGY IN BIANCHI	4
2011 BIANCHI RANGE	5
ROAD	
HOC	6
B4P	12
C2C	18
D2	28
URBAN FIXED GEAR	32
MTB	
RACING	36
PERFORMANCE	42
OFF-ROAD	46
SPORT	
CAMALEONTE	52
CITY	
T-ROAD	56
S-ROAD	58
VIAGGIO	66
JUNIOR	
JUNIOR	68
GEOMETRIES	
TECHNICAL SPECS	73
	76

NUMBERS OF A SUCCESSFUL HISTORY

The most conspicuous achievements

ROAD

- 12 Giro d'Italia
- 3 Tour de France
- 2 Vuelta a España
- 19 Milan - SanRemo
- 16 Tour of Lombardy
- 7 Paris-Roubaix
- 4 Liège-Bastogne-Liège
- 5 Flèche Wallonne
- 4 Amstel Gold Race
- 4 Road World Championship
- 6 Track World Championship: sprint, pursuit and points race
- 1 UCI Pro Tour

MTB

- 1 Olympic Gold Medal - Athens 2004
- 10 World Championship
- 6 World Cup
- 12 European Championship
- 28 National Championship

BIKE TRACE



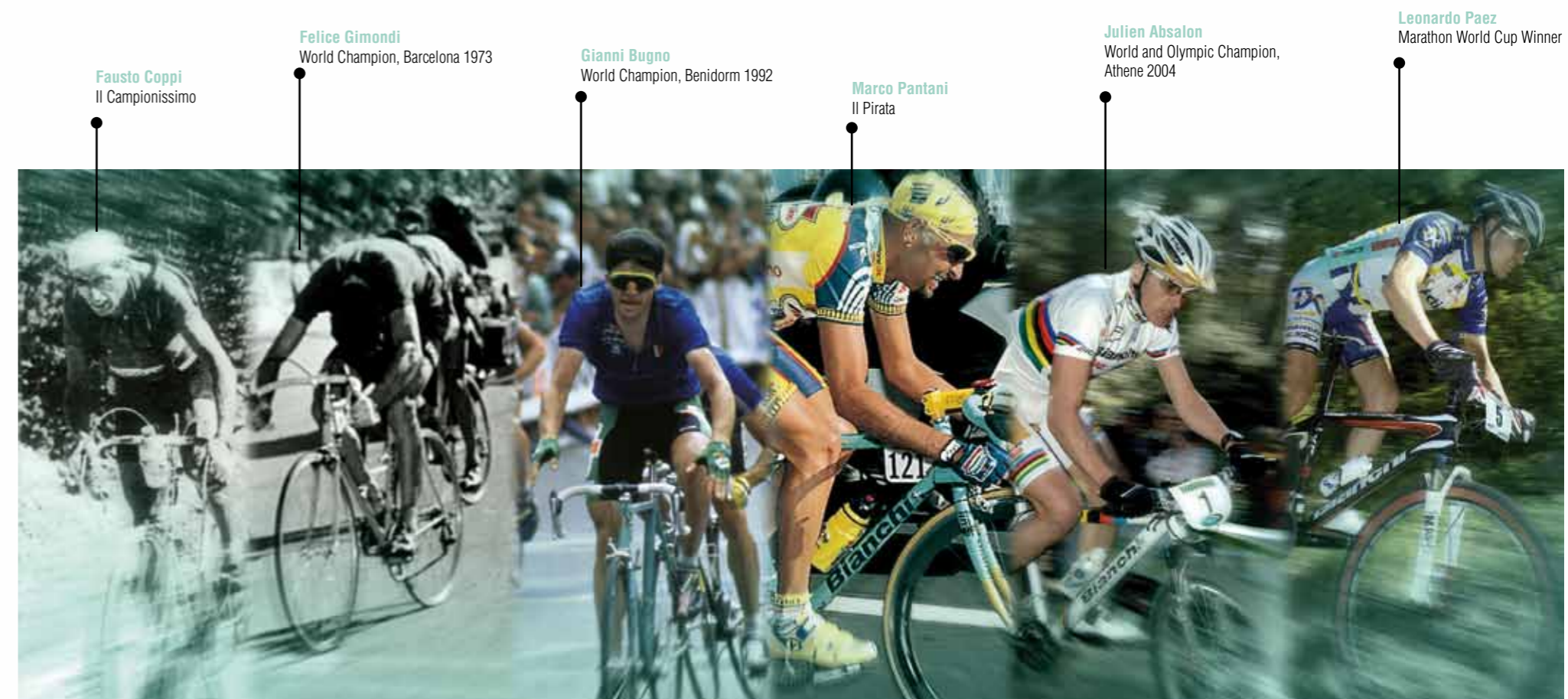
TO OWN A BIANCHI BIKE MEANS TO BELONG TO A BIG FAMILY. WITH THE BIKE TRACE PROJECT, FANS AND OWNERS CAN COUNT ON AN EXCLUSIVE TOOL WHICH ENSURES, AT ANY TIME, THE FULL TRACEABILITY AND IDENTIFICATION OF ANY BIANCHI RC (REPARTO CORSE) BICYCLE.

You just need to log on the www.bianchi.com Website, click on the Bike Owners section and register your bicycle by filling in the Trace Form with your personal data and those of the frame. The recording of this data will make it possible to trace back the history of any bike by monitoring the history of the text and also its 'sporting life'. The Quality Control Report coupon, which can be found in each packaging and includes all the necessary information for the product registration, is fundamental. In the event of loss of the coupon, it is however possible to find the necessary data directly on the frame itself. The frame code is marked on the bottom bracket of all the models, except for the carbon ones. For these last ones the frame code is on the internal parts of the left rear vertical drop out. This service guarantees the total traceability of the bicycle providing a precious support in case of theft and loss.

THANKS TO BIKE TRACE YOUR BIANCHI IS YOURS EVEN MORE.

A LONG LINE OF RECORDS

Bianchi's history of supremacy began long ago. In 1885 Edoardo Bianchi produced the first bicycle in his workshop in Milan, and in 1888 he was the first in Italy to use air-chamber tyres instead of hard tyred ones. From here on, his activity always featured steady research and more and more sophisticated technologies, in order to create the perfect bicycle either for everyday's use and hyper-competitive machines capable to dominate the roads all over the world. Thus the Bianchi legend was born, boosted by unforgettable champions such as Costante Girardengo, Tano Belloni and Fausto Coppi, untamed fighters such as Felice Gimondi, climb artists like Marco Pantani. And several World Champions as well, such as Moreno Argentin and Gianni Bugno on road, Bruno Zanchi, Dario Acquaroli, Josè Hermida in the MTB. An impressive prize-records, also enriched by Julien Absalon's five victories in the World Cup and Olympic gold medal, Leonardo Paez's Marathon World Cup win and Cristian Cominelli's recent success in the Team Relay World Championship. This long list of records does not outshine the prime of all victories: to offer cyclists all over the world a bicycle with a priceless added value, the soul.



Fausto Coppi
Il Campionissimo

Felice Gimondi
World Champion, Barcelona 1973

Gianni Bugno
World Champion, Benidorm 1992

Marco Pantani
Il Pirata

Julien Absalon
World and Olympic Champion,
Athens 2004

Leonardo Paez
Marathon World Cup Winner

LATEST TECHNOLOGY IN BIANCHI



X-TeX – Cross Texture
Our unique process to internally mold X-weaved structural carbon provides exceptional torsional rigidity. We imbed X-shaped carbon into the layup and then it is internally molded into the carbon structure.



CNT – Carbon Nano Tube
The ultimate evolution of nano-technology. Carbon nano tubes are allotropes of carbon with a cylindrical nanostructure. They exhibit extraordinary strength, and combined with epoxy resin and nano-powder (the base of nanotechnology) provide an increase of fracture toughness by 49% compare to standard resin, 20% higher than nanotechnology.



Nano Power Technology
- Nano material has the character of nano-scale size and high superficial content
- Adding Nano technology into the matrix system enhances cohesion superficial content between fiber and matrix.
- Micro cracks in the interlayer will decrease and further reduce the extension of cracks.
- Extends anti-fatigue and enhance anti-impact of resin.



WMP – Wrinkleless Molding Process
- Wrinkles in the material add more weight.
- We detect formation of wrinkles during the curing process to determine the actual characteristics of each frame and the location wrinkles may occur.
- We avoid wrinkles in the material by pre-tuning the thickness of the laminate and the weight of each frame.



UTSS – Ultra Thin Seat Stay
The seatstays function is to harmonize the load's distribution. This technology (CNT) allows us to reduce the seatstay sections without compromise to the structural rigidity.



BAT and K-VID
Usually a Road racing bike is stiff in all directions. High performance but not comfortable.
The objective with these technologies is to obtain different stiffness behaviour under different loads/forces which improves comfort without any compromises of performance.



BB30
BB30 is a new industrial standard for bottom brackets that is stiffer than standard bottom brackets and lighter. The weight of the crank is reduced by eliminating the BB cups and using an alloy oversize spindle that increases the stiffness of the crankset. The BB30 bearings are larger than those used in other systems and it extends the bearings life.



TWT - Triple Wall Tube
- TWT construction allows us to lay-up the composite material plies to form 3 thin walls which are then molded together to form a bond-less monocoque laminate tube.
- We apply TWT construction to the tubes which are the most critical areas for stiffness and ride control
- TWT allows the frame to be more efficient, lightweight and stiff.



ERC - Embedded Reinforcement Construction
- This exclusive design feature molds and embeds reinforcement ribs along the nodes of whole frame structure.
- These reinforcements reduce frame twisting and contribute to frame stiffness and ride handling in the areas of the: head-set bearings, the Head Tube and the Bottom Bracket interface.



SAS - Shock Absorbing Stays
- Special designed stays with "S" shape and laminated with carbon and glass fibers, enhance the absorption of the vertical shocks on the rear Drop Outs without weakening the lateral and the torsional stiffness of the frame.
- The benefit of SAS is increased comfort without reducing power delivered to the rear wheel.



DFIS - Dual Function Integrated Seatpost
Dual function fully integrated seat post. Includes the possibility to cut the seat post and instead insert a traditional seat post.

MODEL	X-TeX	CARBON NANOTUBE TECH	CARBON NANOTECH	WMP	UTSS	BAT and K-VID	BB30	TRIPLE WALL TUBE	ERC	SAS	DFIS
OLTRA	■	■		■	■		■				
NOVAPULS			■	■							
SEMPRE			■		■		■				
INFINITO			■			■					
METHANOL SL							■	■	■	■	■
METHANOL SX								■	■	■	

2011 BIANCHI RANGE

	XTREME PERFORMANCE	HIGH PERFORMANCE	ALL PERFORMANCE	TOURING	STREET	SPECIAL
ROAD	HOC	B4P	C2C - DAMABIANCA			D 2 URBAN FIXED GEAR pag. 6
Exactly as there are different riders, there are also different ways to achieve your goals in cycling. And the Bianchi Road Range is ready to perform, meeting all your needs, with the attention and care, that is its distinctive feature ever since Edoardo Bianchi opened his doors many years ago.						
MTB	RACING	PERFORMANCE	OFF-ROAD			pag. 36
The other road of Bianchi. Both the dirtiest and newest, but already rich in international success. Olympic and World Championships, to mark a technological supremacy which doesn't change when the terrain does. The best for cross country and marathon riding.						
SPORT				CAMALEONTE		pag. 52
If cleverness is the art of adaptation, then the bicycles of the Camaleonte range are clever. Like the animal bearing their name, they find their natural habitat in the city, but also on the week-end roads. For those who believe that two-wheels without an engine are a philosophy of life.						
CITY					T-ROAD S-ROAD VIAGGIO	pag. 56
The most ecological means to move throughout the city, without polluting the environment, without using up fuel. A lifestyle, an idea of individual mobility which Bianchi has been capable to realize, with a range conceived for commuting into the city and for leisure. With all Bianchi comfort and technology, dedicated to the urban rider.						
JUNIOR		JUNIOR 24"			YARD - DRAGON - EAGLE - MOMOCIACIÀ	pag. 68
A little rider has to enjoy a great bike. Growing, kilometre after kilometre, together with the bicycle. The Bianchi Junior range will accompany them from the age of 3 onwards, both on and off-road.						
	XTREME PERFORMANCE	HIGH PERFORMANCE	ALL PERFORMANCE	TOURING	STREET	SPECIAL

HIC

HORS CATEGORY
"Extreme Racing"

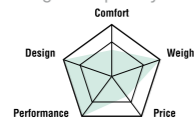
ROAD



Hors Categorie, means beyond limits. These models feature a geometry conceived from the extreme research of the lightness-performances ratio. They are ideal for the most evolved and demanding riders.

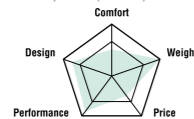
Oltre

Super-light, streamlined, performing: Oltre ("Beyond") is the latest generation blend of Bianchi's philosophy. A result achieved thanks to the carbon frame fabricated through the innovative X-Tex technology, that increases rigidity while limiting the weight. To push your limit far beyond.



Move Due O Ho

1949, 1952, 1998. These are the years in which Bianchi won both the Giro and the Tour. The last digits, together, compose the name of a range of unique bicycles. The characteristics: superlight, stiff and reactive. The evolution: the integrated aero seat post (IASP).



Technologies



ULTRA HIGH MODULUS CARBON FIBER

CARBON NANOTUBE TECH



Oltre

Campagnolo Super Record 11sp Double

PURPOSE



CODE	Y1B01Y
COLOUR	CK
FRAME	CARBON
FORK	FULL CARBON
WHEELS	FULCRUM RACING SPEED XLR CARBON
FRAME WEIGHT	930 gr

ALSO AVAILABLE

Y1B02Y SUPER RECORD 11SP COMPACT

BOTH WITH 3 OTHER DIFFERENT WHEELS MODEL:

Y1B01I - Y1B02I WITH RACING 1

Y1B01X - Y1B02X WITH RACING 0

Y1B01Z - Y1B02Z WITH DT RRC CARBON

AS FRAMESET ONLY: X1B03I

CK YA XR



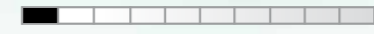
ROAD

ROAD

Ultrare

Campagnolo Chorus 11sp Double

PURPOSE



Competition

Recreation

CODE Y1B05Z
 COLOUR YA
 FRAME CARBON
 FORK FULL CARBON
 WHEELS DT RRC CARBON
 FRAME WEIGHT 930 gr

ALSO AVAILABLE

Y1B06Z CHORUS 11SP COMPACT

BOTH WITH 3 OTHER DIFFERENT WHEELS MODEL:

Y1B05I - Y1B06I WITH RACING 3
 Y1B05X - Y1B06X WITH RACING 0
 Y1B05Y - Y1B06Y WITH RACING SPEED

AS FRAMESET ONLY: X1B03I

CK YA XR



Ultrare

Shimano Dura Ace 10sp Double

PURPOSE



Competition

Recreation

CODE Y1B03Z
 COLOUR XR
 FRAME CARBON
 FORK FULL CARBON
 WHEELS DT RRC CARBON
 FRAME WEIGHT 930 gr

ALSO AVAILABLE

Y1B04Y DURA ACE 10SP COMPACT

ALL WITH 3 OTHER DIFFERENT WHEELS MODEL:

Y1B03I - Y1B04I WITH RACING 1
 Y1B03X - Y1B04X WITH RACING 0
 Y1B03Y - Y1B04Y FULLCRUM RACING SPEED

AS FRAMESET ONLY: X1B03I

CK YA XR



ROAD

ROAD

Ultraleggera

Shimano Dura Ace Di2 10sp Compact



CODE Y1BL1Y
 COLOUR XR
 FRAME CARBON
 FORK FULL CARBON
 WHEELS FULCRUM RACING SPEED XLR CARBON
 FRAME WEIGHT 930 gr

ALSO AVAILABLE
 WITH 3 OTHER DIFFERENT WHEELS MODEL:
 Y1BL1I WITH RACING 1
 Y1BL1X WITH RACING 0
 Y1BL1Z WITH DT RRC CARBON

AS FRAMESET ONLY: X1B02I
 CK YA XR



ROAD

Novo Due O Ho

928 SL Carbon IASP



CODE X0B03I
 COLOUR 1F YA 1G
 FRAME CARBON
 FORK FULL CARBON
 WEIGHT 1010 gr





BORN FOR PERFORMANCE

"Race Ready"

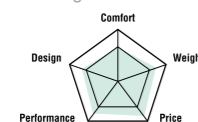
ROAD



Born for Performance. These bikes are very rigid yet light, they feature a racing geometry and are available with either carbon or alu-carbon frames. A versatility which reflects the personality of those who choose them.

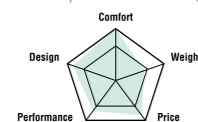
sempre

Stiff frame, extremely reduced weight, competitive geometry: Sempre ("Always") is the perfect bicycle for versatile cyclists. Thanks to its monocoque carbon frame and the increased sections near the steering and the bb-set, it's precise and reactive to drive. Always.



1885

The year that "Edoardo Bianchi" created his workshop and a legacy. It is the name given to a model reflecting the spirit of it's origins but with up-to-date through advanced technology.



Dolomiti

This word is enough to recall heroic feats, facing and overcoming impossible climbs. Feats to be repeated, maybe in the saddle of this model, with a steel frame using triple butted tubing, chromed lugs and a steel fork with a lugged fork crown and dropouts.

Technologies

CARBON MONOCOQUE



sempre

Shimano Ultegra 10sp Compact

PURPOSE



CODE	Y1BK6I
COLOUR	ZA
FRAME	CARBON
FORK	CARBON/ALU
WHEELS	FULCRUM RACING 7 CUSTOM
FRAME WEIGHT	1100 gr

ALSO AVAILABLE

IN COLOUR CK

AS FRAMESET ONLY: X1B13I

XY		CK		ZA	
ZC					

ROAD



ROAD

SEMPRE

Shimano 105 10sp Compact

PURPOSE



CODE Y1B13I
 COLOUR XY
 FRAME CARBON
 FORK CARBON/ALU
 WHEELS MADDUX RX 5.1 LITE CUSTOM WHITE
 COLOR, LOGO REPARTO CORSE
 FRAME WEIGHT 1100 gr

ALSO AVAILABLE

IN COLOUR ZC

AS FRAMESET ONLY: X1B13I
 XY CK ZA
 ZC



*ZC COLOUR VERSION



SEMPRE

Campagnolo Veloce 10sp Compact

PURPOSE

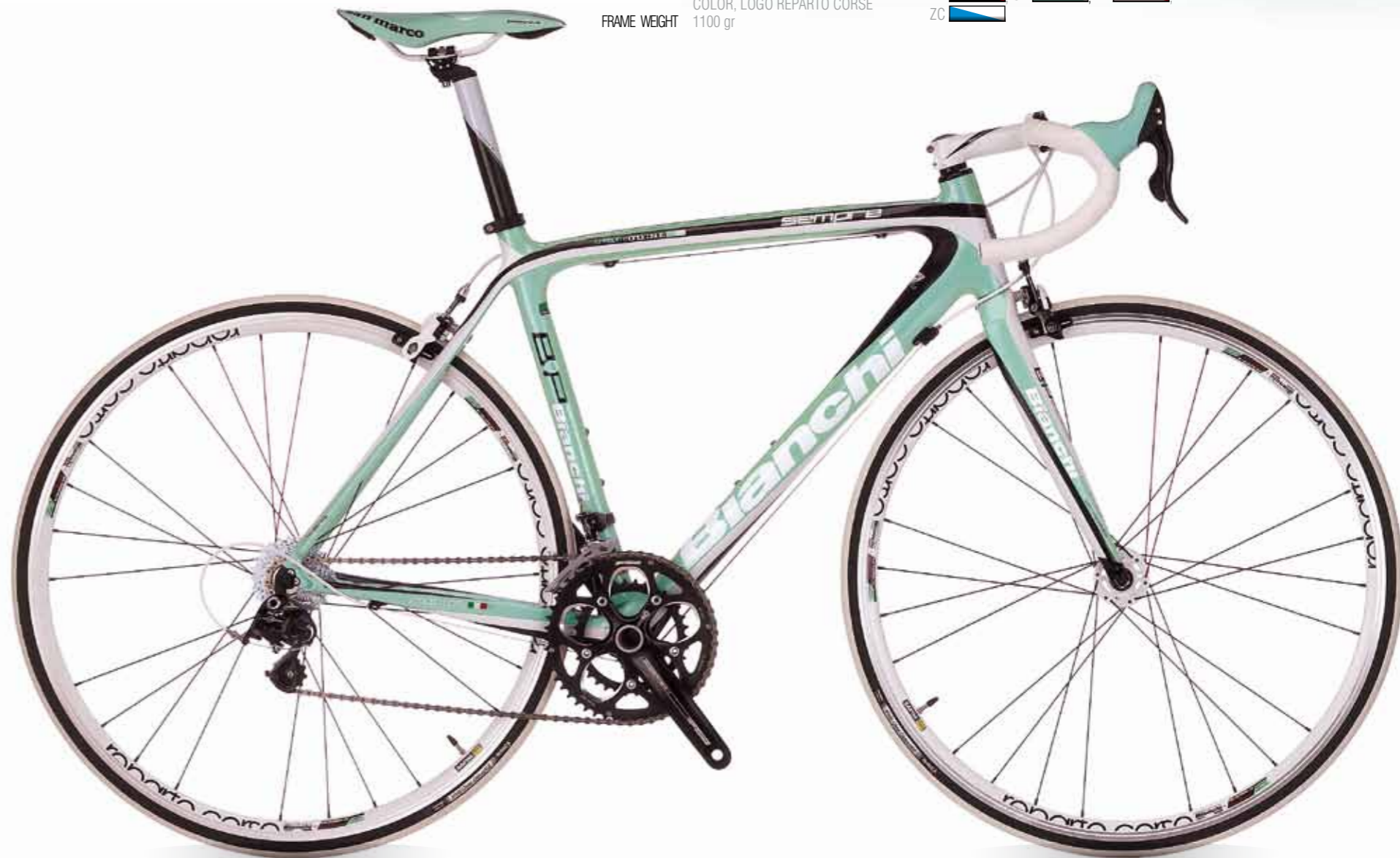


CODE Y1B46I
 COLOUR CK
 FRAME CARBON
 FORK CARBON/ALU
 WHEELS MADDUX RX 5.1 LITE CUSTOM WHITE
 COLOR, LOGO REPARTO CORSE
 FRAME WEIGHT 1100 gr

ALSO AVAILABLE

IN COLOUR ZA

AS FRAMESET ONLY: X1B13I
 XY CK ZA
 ZC



ROAD

ROAD

SEMPRE

Shimano Tiagra 9sp Compact

PURPOSE



CODE Y1B45I
 COLOUR CK
 FRAME CARBON
 FORK CARBON/ALU
 WHEELS MADDUX RX 5.1 LITE CUSTOM WHITE
 COLOR, LOGO REPARTO CORSE
 FRAME WEIGHT 1100 gr

ALSO AVAILABLE

AS FRAMESET ONLY: X1B13I
 XY
 ZC



1885

1885 Alu Carbon

PURPOSE



CODE X1B10I
 COLOUR YT
 FRAME ALU/CARBON
 FORK CARBON/ALU
 WEIGHT 1490 gr



Dolomiti

PURPOSE



CODE X0B16I
 COLOUR CK
 FRAME STEEL
 FORK BIANCHI STEEL CR-MO 1" WITH LUG
 WEIGHT 1900 gr

ROAD

C2C

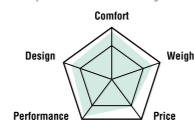
COAST TO COAST
"Endurance Racing"

ROAD

Coast to Coast. Long distances to be covered in the optimal position for maximum performance with minimum fatigue, guaranteed by Bianchi technology and a unique geometry. For riders who love to travel far.

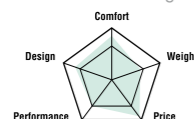
Infinito

The name doesn't need explanations, bike without limits: optimal riding position, completely ergonomic, with the latest technology. Bianchi unique technologies as BAT and K-VID are used to reduce the fatigue and improved performance. NANO POWER TECHNOLOGY, instead, to reduce weight and longer lifetime. The geometry is unique, with a taller head tube for a relaxed riding position and a longer wheel base for improved stability.



VIANIRONE7ALU

In triple butted aluminium throughout with hydroformed sections to ensure the best ratio between design and performance.



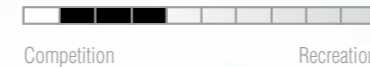
Technologies



Infinito

Campagnolo Chorus 11sp Compact

PURPOSE



CODE	Y1B21Z
COLOUR	1A
FRAME	CARBON
FORK	FULL CARBON
WHEELS	DT RRC CARBON
FRAME WEIGHT	1080 gr



ALSO AVAILABLE

Y1B24Y ULTEGRA 10SP COMPACT, IN COLOURS 1A AND XQ

ALL WITH 3 OTHER DIFFERENT WHEELS MODEL:

- Y1B21I - Y1B24I WITH RACING 5 CUSTOM
- Y1B21X - Y1B24X WITH RACING 0
- Y1B21Y - Y1B24Y WITH RACING SPEED

AS FRAMESET ONLY: X1B01I



ROAD



ROAD

Infinito
Campagnolo Athena 11sp Compact



CODE Y1B22Z
 COLOUR XP
 FRAME CARBON
 FORK FULL CARBON
 WHEELS DT RRC CARBON
 FRAME WEIGHT 1080 gr

ALSO AVAILABLE
 WITH 3 OTHER DIFFERENT WHEELS MODEL:
 Y1B22I WITH RACING 5 CUSTOM
 Y1B22X WITH RACING 0
 Y1B22Y WITH RACING SPEED

AS FRAMESET ONLY: X1B01I
 X0 XP Y1
 ZE 1A



Infinito
Campagnolo Veloce 10sp Compact



CODE Y1BF7I
 COLOUR Y1
 FRAME CARBON
 FORK FULL CARBON
 WHEELS FULCRUM RACING 7 CUSTOM
 FRAME WEIGHT 1080 gr

ALSO AVAILABLE
 IN COLOUR XP
AS FRAMESET ONLY: X1B01I
 X0 XP Y1
 ZE 1A

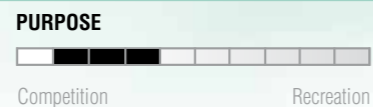


ROAD

ROAD

Infinito

Shimano 105 10sp Compact



CODE Y1BK11
 COLOUR XQ
 FRAME CARBON
 FORK FULL CARBON
 WHEELS FULCRUM RACING 7 CUSTOM
 FRAME WEIGHT 1080 gr

ALSO AVAILABLE
 IN COLOUR ZE

AS FRAMESET ONLY: X1B011
 XQ XP YI
 ZE 1A



*ZE COLOUR VERSION



ROAD

Infinito
DAMA BIANCA

Shimano 105 10sp Compact



CODE Y1BF11
 COLOUR XP
 FRAME CARBON
 FORK FULL CARBON
 WHEELS FULCRUM RACING 7 CUSTOM
 FRAME WEIGHT 1080 gr



ROAD

VIANIRONE7ALU

Campagnolo Veloce 10sp Compact

PURPOSE



Competition

Recreation

CODE Y1B31I
 COLOUR CK
 FRAME ALUMINIUM
 FORK CARBON/ALU
 WHEELS MICHE RACING/4 WHITE SPOKES/
 MACH 1 VERSUS BLACK, LOGO
 REPARTO CORSE

ALSO AVAILABLE

IN COLOUR ZD

Y1BE5I VIA NIRONE 7 ALU 105 10SP COMPACT,
IN COLOURS CK XS



VIANIRONE7ALU

Campagnolo Xenon 10sp Compact

PURPOSE



Competition

Recreation

CODE Y1B32I
 COLOUR XP
 FRAME ALUMINIUM
 FORK CARBON/ALU
 WHEELS MICHE RACING/4 WHITE SPOKES/
 MACH 1 VERSUS BLACK, LOGO
 REPARTO CORSE

ALSO AVAILABLE

IN COLOUR ZD



VIANIRONE7ALU

Shimano Ultegra 10sp Compact

PURPOSE



Competition

Recreation

CODE Y1BF8I
 COLOUR YI
 FRAME ALUMINIUM
 FORK CARBON/ALU
 WHEELS MADDUX RX 5.1 CUSTOM BLACK
 LOGO REPARTO CORSE

ALSO AVAILABLE

Y1BG8I VIA NIRONE 7 ALU
TIAGRA 9SP COMPACT

ROAD

VIANIRONE7ALU

Shimano Sora 9sp Compact

PURPOSE



Competition

Recreation

CODE Y1B34I
 COLOUR XS
 FRAME ALUMINIUM
 FORK CARBON/ALU
 WHEELS JOYTECH/4 RED SPOKES/JALCO
 DRX4000, LOGO REPARTO CORSE

ALSO AVAILABLE
 IN COLOUR ZD



VIANIRONE7ALU DAMA BIANCA

Shimano Sora 9sp Compact

PURPOSE



Competition

Recreation

CODE Y1BF3I
 COLOUR CK
 FRAME ALUMINIUM
 FORK CARBON/ALU
 WHEELS JOYTECH/4 RED SPOKES/JALCO
 DRX4000, LOGO REPARTO CORSE

ALSO AVAILABLE
 Y1BF2I DAMA BIANCA VIA NIRONE 7 ALU 105
 10SP COMPACT, IN COLOURS XP
 XW

VIANIRONE7ALU

Shimano 2300 8sp Compact

PURPOSE



Competition

Recreation

CODE Y1BK2I
 COLOUR ZC
 FRAME ALUMINIUM
 FORK CARBON/ALU
 WHEELS JOYTECH/4 RED SPOKES/JALCO
 DRX4000, LOGO REPARTO CORSE

ALSO AVAILABLE
 IN COLOUR XP



ROAD

D|2 ROAD

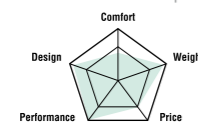
The best on all roads, whether tarmac, dirt or track. All the D2 bikes have select frames, special products for the specialists of cycle racing. From triathlon and time trials to the mud of cyclo-cross, up to the breathtaking thrills of the track. For true men, women and riders.

Technology



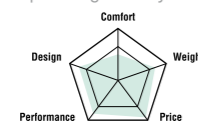
PICO CRONO TRIATHLON CARBON

Carbon monocoque frame with Nano technology. A super rigid model, lightweight and aerodynamic, performing in all its' details. From the Super Aero full carbon fork weighing 450g to the oversized and perforated chain stays, up to the horizontal rear drop outs.



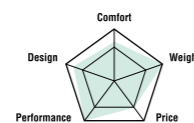
CRONO TRIATHLON ALU

For fighting, and winning against the clock, in the saddle of an aerodynamic model with the frame made fully in aluminum alloy, with aero shaped tubing, featuring triathlon specific geometry.



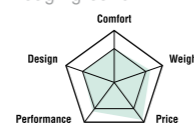
CAVARIA CROSS CONCEPT CARBON

Specifically designed for cyclo-cross, it matches lightness and resistance. The frame is in carbon monocoque.



ZURIGO CICLOCROSS AXIS ALU

An aluminium frame with butted tubing and specific tube profiles for cyclo-cross. Conceived to control vibrations and tame rough ground.



PICO CRONO TRIATHLON CARBON

Shimano Ultegra 10sp

PURPOSE



CODE	Y1B40I
COLOUR	XT
FRAME	CARBON
FORK	FULL CARBON
WHEELS	FULCRUM RACING 7 CUSTOM
FRAME WEIGHT	1350 gr

ALSO AVAILABLE
AS FRAMESET ONLY: X1B06I

ROAD



ROAD

CRONO TRIATHLON ALU

Shimano 105 10sp

PURPOSE



Competition

Recreation

CODE Y1B44I
 COLOUR XT
 FRAME ALUMINIUM
 FORK CARBON/ALU
 WHEELS SHIMANO WH-RS10
 FRAME WEIGHT 1750 gr

ALSO AVAILABLE
 Y1B43I CRONO/TRIATHLON ALU SHIMANO TIAGRA 9SP



CAVARIA CROSS CONCEPT CARBON

Shimano Ultegra/105 10sp

PURPOSE



Competition

Recreation

CODE Y1B48I
 COLOUR CK
 FRAME CARBON
 FORK CARBON/ALU
 WHEELS FULCRUM RACING 7
 FRAME WEIGHT 1080 gr

ALSO AVAILABLE
 AS FRAMESET ONLY: X1B09I



ZURIGO CICLOCROSS AXIS ALU

Sram Apex 10sp

PURPOSE



Competition

Recreation

CODE Y1B49I
 COLOUR AI
 FRAME ALUMINIUM
 FORK CARBON/ALU
 WHEELS JOYTECH/4 RED SPOKES/JALCO DRX4000, LOGO REPARTO CORSE

ROAD

URBAN FIXED GEAR

ROAD

With pure speed, efficiency and simplicity, a track bike makes a natural habitat in the velodrome. In recent years, Bianchi's timeless Pista track bike has made itself a second home in towns and cities. Whatever the application competition or transportation the Pista, obligatory fixed gear, has created an unusually practical way of getting around.

pista STEEL

PURPOSE



CODE Y1BC11
COLOUR KE
FRAME STEEL
FORK STEEL
WHEELS ALEX TRACK WHEELSET SOLO, 32H
FLIP/FLOP

ALSO AVAILABLE
IN COLOUR KC*

ROAD



*KC COLOUR VERSION



ROAD

Pista Via Condotti STEEL



CODE Y1BC01
 COLOUR LN
 FRAME STEEL
 FORK STEEL
 WHEELS MADDUX TRACK F15 ANODIZED SILVER, SEAL BEARING, LOW PROFILE 15MM



Pista Via Brera STEEL



CODE Y1B17
 COLOUR LM
 FRAME STEEL
 FORK STEEL
 WHEELS SRAM TORPEDO/JALCO/JALCO DRX

pista Sei Giorni ALU



CODE Y1BC21
 COLOUR KF
 FRAME ALUMINIUM
 FORK CARBON/ALU
 WHEELS MADDUX TRACK F15 PROFILE 30MM
 COLOR WHITE
 FRAME WEIGHT 1540 gr

ALSO AVAILABLE
 AS FRAMESET ONLY: X1B081



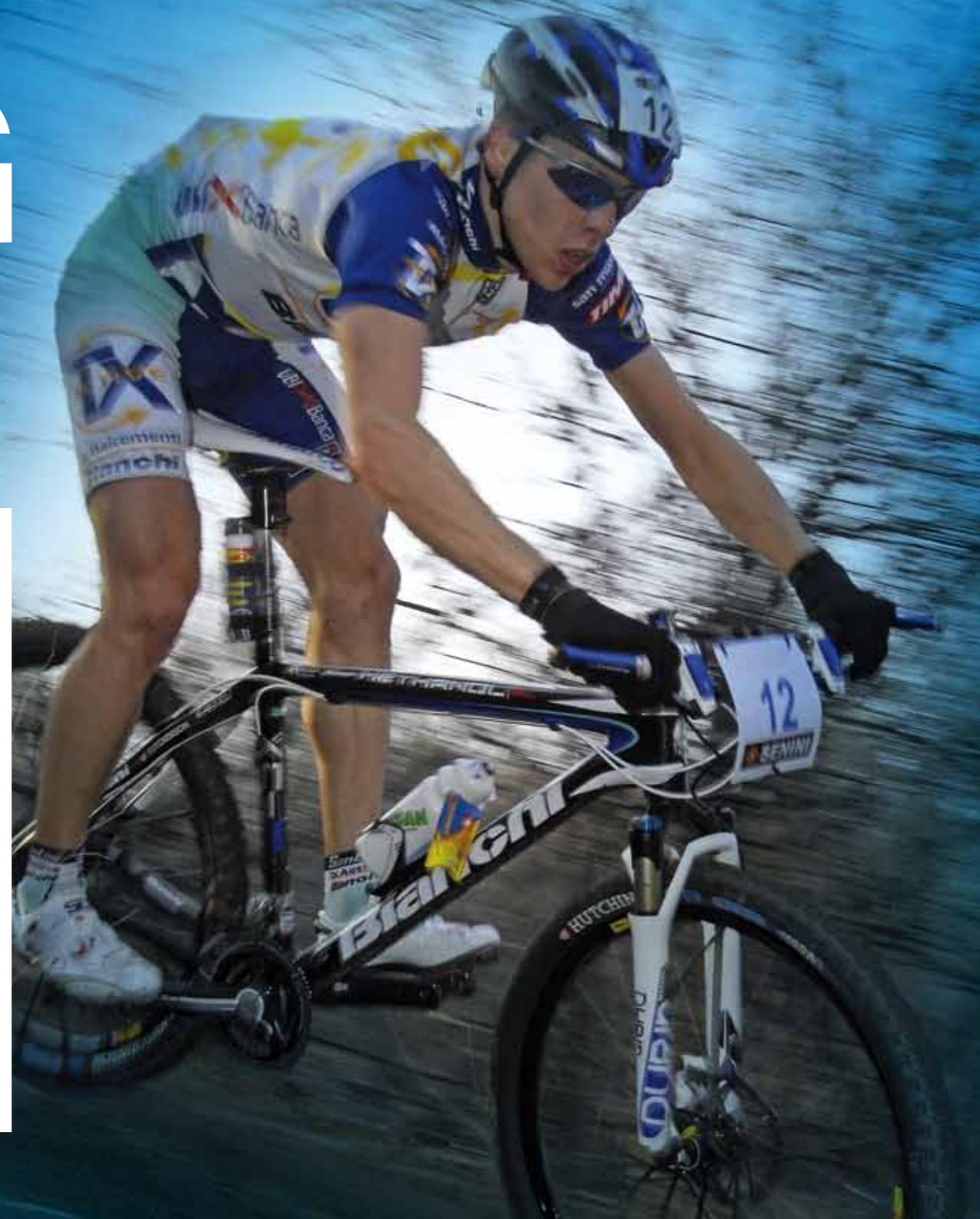
pista Dalmine ALU



CODE Y1BJ31
 COLOUR KH
 FRAME ALUMINIUM
 FORK CARBON/ALU
 WHEELS SRAM TORPEDO/JALCO F15 /JALCO DRX 3000 COLOR WHITE

ROAD

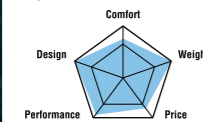
RACING MTB



Made in carbon, these bikes are rigid and ultralight thanks to Bianchi's unique technology and the XC reactive geometry, tested in competition, ensures the utmost in performance. Made for those who only compete to win.

METHANOL SL

Developed in collaboration with Tx Active Bianchi team, it is a concentration of the latest technology like DFIS (Dual Function Integrated Seat post), BB30, with a super light and rigid monocoque frame using new technology developed by Bianchi, the Triple Wall Tube, the Embedded Reinforcement Construction and the Shock Absorbing System. A bike for whos' aim is high.

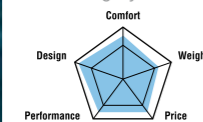


Technologies



METHANOL SX

Developed in parallel with big brother Methanol SL, sharing key technologies like the Triple Wall Tube, the Embedded Reinforcement Construction and the Shock Absorbing System.



METHANOL SL

Team Replica Sram XX 2x10sp Disc

PURPOSE



CODE Y1B63I
COLOUR JM
FRAME CARBON
FORK MAGURA DURIN RACE MD100R RCL
WHEELS MAVIC CROSSMAX SLR DISC
FRAME WEIGHT 1170 gr

ALSO AVAILABLE

AS FRAMESET ONLY: X1B52I
1K JM
LX



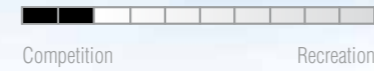
MTB

MTB

METHANOL SL

9900 Shimano XTR 2x10sp Disc

PURPOSE



CODE Y1B62X
 COLOUR 1K
 FRAME CARBON
 FORK MAGURA DURIN RACE MD100R RCL
 WHEELS CARBON TI X-WHEEL MTB ALPINE
 FRAME WEIGHT 1170 gr

ALSO AVAILABLE
 WITH ANOTHER DIFFERENT WHEELS OPTION:
 Y1B62I WITH MAVIC CROSSMAX SLR DISC

AS FRAMESET ONLY: X1B52I
 1K JM LX



METHANOL SL

9700 Sram X0 2x10sp Disc

PURPOSE



CODE Y1B67I
 COLOUR LX
 FRAME CARBON
 FORK MAGURA DURIN RACE MD100R RCL
 WHEELS MAVIC CROSSTAIL DISC
 FRAME WEIGHT 1170 gr

ALSO AVAILABLE

WITH ANOTHER DIFFERENT WHEELS OPTION
 AND ANOTHER FORK MODEL:
 Y1B67X WITH CARBON TI X-WHEEL AND ROCK SHOX SID RLT
 Y1B67Y WITH CARBON TI X-WHEEL AND MAGURA DURIN RACE
 Y1B67Z WITH MAVIC CROSSTAIL AND ROCK SHOX SID RLT

AS FRAMESET ONLY: X1B52I

1K JM LX

METHANOL SL

9500 Sram X9 2x10sp Disc

PURPOSE



CODE Y1B98I
 COLOUR 1K
 FRAME CARBON
 FORK MAGURA DURIN RACE MD100R RCL
 WHEELS SRAM X9/MAVIC XM819 DISC
 FRAME WEIGHT 1170 gr

ALSO AVAILABLE IN COLOUR JM

WITH ANOTHER DIFFERENT FORK OPTION:
 Y1B98X WITH ROCK SHOX SID

AS FRAMESET ONLY: X1B52I

1K JM LX



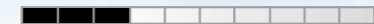
MTB

MTB

METHANOL SX

9300 Shimano XT/SLX 3x10sp Disc

PURPOSE



Competition

Recreation

CODE Y1B611
COLOUR LX
FRAME CARBON
FORK ROCK SHOX REBA RL
WHEELS MAVIC CROSSRIDE DISC
FRAME WEIGHT 1180 gr

ALSO AVAILABLE
WITH ANOTHER DIFFERENT FORK OPTION:
Y1B61X WITH MAGURA DURIN RACE MD100R RCL

AS FRAMESET ONLY: X1B56I
LX Y1



METHANOL SX

9000 Shimano XT/Deore 9sp Disc

PURPOSE



Competition

Recreation

CODE Y1B69I
COLOUR Y1
FRAME CARBON
FORK ROCK SHOX RECON SILVER TK COIL
WHEELS SHIMANO M435/MACH 1 MX DISC
FRAME WEIGHT 1180 gr

ALSO AVAILABLE
IN COLOUR LX

AS FRAMESET ONLY: X1B56I
LX Y1



MTB

PERFORMANCE

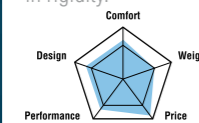
MTB



When performance really counts. With a legendary reliability and, thanks to its' XC geometry endowing it with unique manoeuvrability. For those who compete in long distance racing but also for the most demanding day out.

JAB

A triple butted aluminium frame, realized with an hydroforming process, which ensures innovative design and the utmost in rigidity.



JAB

7700 Shimano XT 3x10sp Disc

PURPOSE

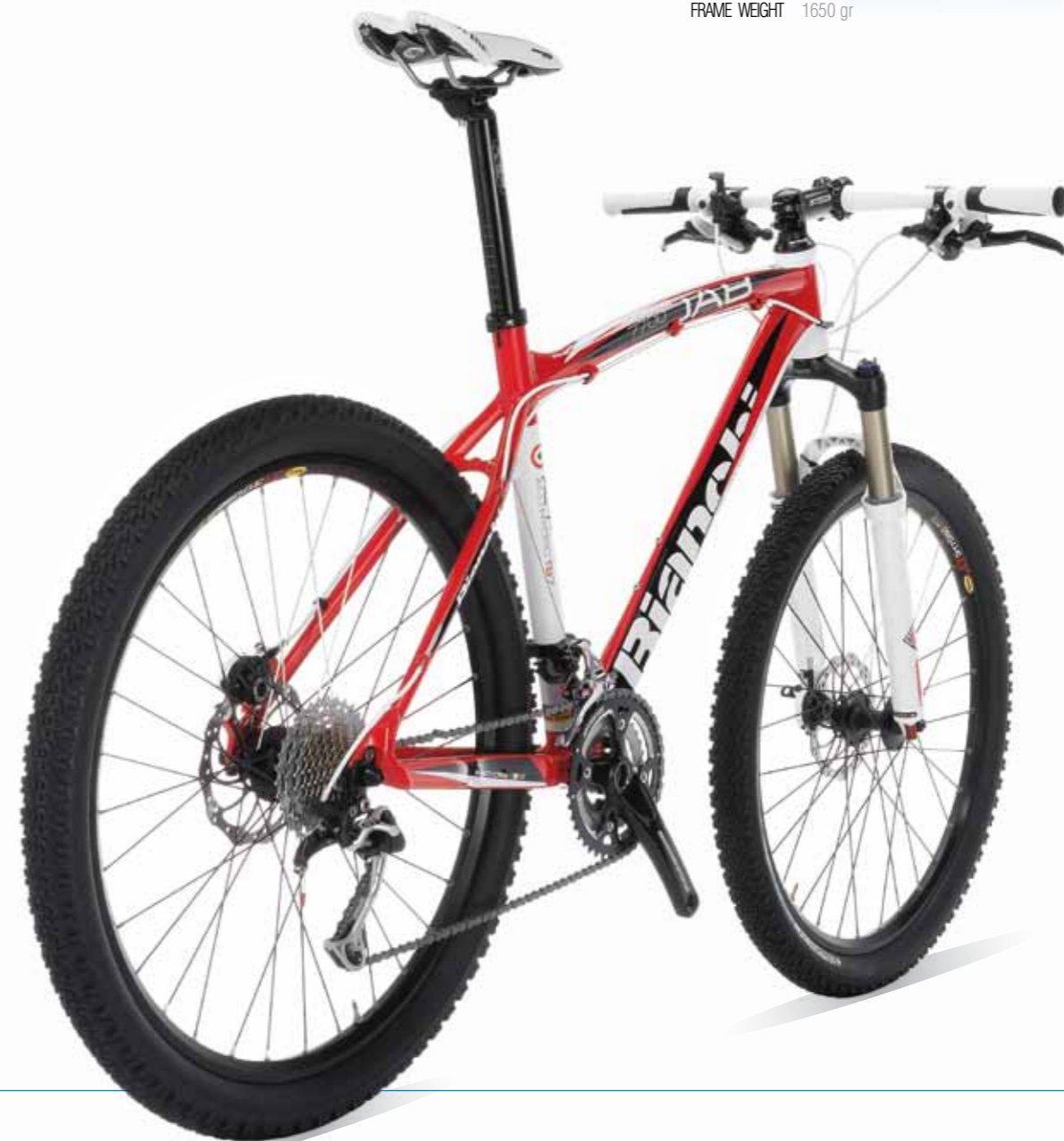


CODE Y1B64I
 COLOUR YV
 FRAME ALUMINIUM
 FORK ROCK SHOX RECON GOLD TK AIR
 WHEELS SHIMANO DEORE/MAVIC XM317 DISC
 FRAME WEIGHT 1650 gr

ALSO AVAILABLE

AS FRAMESET ONLY: X1B55I
 YV XU AZ

MTB



MTB

JAB

7400 Shimano XT/SLX 3x10sp Disc



CODE Y1B65
 COLOUR XU
 FRAME ALUMINIUM
 FORK ROCK SHOX RECON SILVER TK COIL
 WHEELS SHIMANO M435/MACH 1 MX DISC
 FRAME WEIGHT 1650 gr

ALSO AVAILABLE
 IN COLOUR YV

Y1B68I JAB 7100, IN COLOURS YV
 AND AZ



JAB

7100 Shimano XT/Deore 9sp Disc



CODE Y1B68I
 COLOUR YV
 FRAME ALUMINIUM
 FORK ROCK SHOX DART 2 TK
 WHEELS SHIMANO RM65/MACH 1 MX DISC
 FRAME WEIGHT 1650 gr

ALSO AVAILABLE
 IN COLOUR AZ

AS FRAMESET ONLY: X1B55I
 YV XU AZ



*AZ COLOUR VERSION

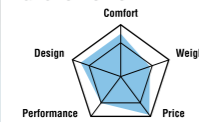
MTB

OFF-ROAD MTB

The latest in technology as well as a geometry especially conceived to get a more comfortable position in the saddle, less extreme and more relaxed. Bicycles for those who are approaching the MTB world and want to do it in the right way.

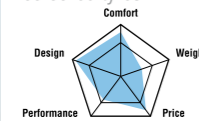
KUMA

A triple butted aluminium frame with a geometry designed to feel immediately at ease in the saddle. No compromises, is fast and full of fun.



Like **STARBUCKS**

A new bike concept, inspired from the Supermotard world. Great personality in every detail. A special frame with aggressive geometry for outmost fun, 2.35" coloured tyres.



DUEL 26"

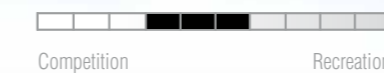
Comfortable and elegant, a model for those who love to pedal without the obsession of competition, only chasing a pace, your own pace.



KUMA

5500 Shimano SLX/Deore 27sp Disc

PURPOSE



CODE Y1B70I
COLOUR XQ
FRAME ALUMINIUM
FORK SF11-XCR RL
WHEELS SHIMANO RM65/MACH 1 MX DISC

ALSO AVAILABLE
IN COLOUR BX



MTB

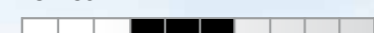


MTB

KUMa

5300 Shimano Deore/Alivio 27sp Disc

PURPOSE



Competition

Recreation

CODE Y1B971
 COLOUR XV
 FRAME ALUMINIUM
 FORK SF11-XCM V3 HLO
 WHEELS SHIMANO RM65/MACH 1 SUB-ZERO DISC

ALSO AVAILABLE
 IN COLOUR BY



KUMa

4900 Shimano Alivio 24sp Mix Mechanical Disc

PURPOSE



Competition

Recreation

CODE Y0B711
 COLOUR BX
 FRAME ALUMINIUM
 FORK SUNTOUR SF11-XCT V3 MLO
 WHEELS SHIMANO RM65/MACH 1 EXE

KUMa

4600 Shimano Acera 24sp Mix V-Brake

PURPOSE



Competition

Recreation

CODE Y1B721
 COLOUR BU
 FRAME ALUMINIUM
 FORK SUNTOUR SF11-XCT V3 MLO
 WHEELS SHIMANO/JOYTECH/MACH 1 NITRO

ALSO AVAILABLE
 IN COLOUR XQ



KUMa

4400 Shimano Altus 24sp Mix V-Brake

PURPOSE



Competition

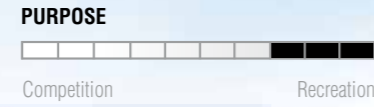
Recreation

CODE Y1BK41
 COLOUR BY
 FRAME ALUMINIUM
 FORK SUNTOUR SF11-XCT V3
 WHEELS SHIMANO/JOYTECH/MACH 1 EXE

ALSO AVAILABLE
 IN COLOUR BU

MTB

Like **HEARD**



CODE Y1BK5I
 COLOUR UX
 FRAME ALUMINIUM
 FORK SUNTOUR SF8-M025-A
 WHEELS JOYTECH/MACH 1 EXE

Shimano Altus 21sp V-Brake/Disk

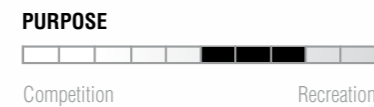


*HH COLOUR VERSION



DUEL 26" disc

Shimano Altus Mix 24sp



CODE Y0B142
 COLOUR HI
 FRAME ALUMINIUM
 FORK HL BRAVO-386
 WHEELS JOYTECH/MACH 1 ONE

ALSO AVAILABLE
 IN COLOUR HH

DUEL 26"

Man Shimano TX-35 21sp V-Brake



CODE Y0B141
 COLOUR HG
 FRAME ALUMINIUM
 FORK HL CH-410
 WHEELS QUANDO/MACH 1

ALSO AVAILABLE
 IN COLOUR HH AND HI



DUEL 26"

Lady Shimano TX-35 21sp V-Brake



CODE Y0B151
 COLOUR HF
 FRAME ALUMINIUM
 FORK HL CH-410
 WHEELS QUANDO/MACH 1

MTB



SPORT

Like the animal bearing their name, they find their natural habitat in the city, but also on the week-end roads. For those who believe that two-wheels without an engine are a philosophy of life.

camaleonte ALU

Made throughout in aluminium, it features an exclusive Bianchi design, thanks to Hydroforming, a technique which allows us to obtain ultra-light sections, yet maintaining best comfort.

camaleonte SPORTCROSS ALU

Two versions, one for men and one for ladies', both with hydro formed aluminium frames, unique design that improves comfort, and a suspension fork with lock out.

camaleonte cinque

Shimano Tiagra 9sp Triple V-Brake

PURPOSE



CODE Y1B50I
 COLOUR AD
 FRAME CAMALEONTE SPORT ALU GENT V-BRAKES
 FORK BIANCHI FC7 CARBON/ALU V-BRAKE 1 1/8"
 WHEELS JOYTECH/JALCO DRX6000 LOGO CAMALEONTE



camaleonte quattro

Shimano Sora 9sp Triple V-Brake

PURPOSE



CODE Y1B51I
 COLOUR AH
 FRAME CAMALEONTE SPORT ALU GENT V-BRAKES
 FORK BIANCHI FC7 CARBON/ALU V-BRAKE 1 1/8"
 WHEELS JOYTECH/JALCO DRX6000 LOGO CAMALEONTE

SPORT

SPORT

camaleonte **tre**

Shimano Lx 9sp Triple Disc

PURPOSE



Competition

Recreation

CODE Y1B52I
 COLOUR AE
 FRAME CAMALEONTE SPORT ALU GENT DISC
 FORK BIANCHI FF BKC ALU DISC BRAKE 11/8"
 WHEELS SHIMANO RM65/JALCO DRX6000
 LOGO CAMALEONTE

ALSO AVAILABLE
 IN COLOUR AK



camaleonte **due**

Shimano Deore/Alivio 9sp Triple Disc

PURPOSE



Competition

Recreation

CODE Y1B55I
 COLOUR AF
 FRAME CAMALEONTE SPORT ALU GENT DISC
 FORK BIANCHI FF BKC ALU DISC BRAKE 11/8"
 WHEELS SHIMANO RM65/JALCO DRX6000
 LOGO CAMALEONTE

ALSO AVAILABLE
 IN COLOUR AJ

Y1B53I CAM 1, IN COLOUR AH

camaleonte **cross**

Gent Shimano Acera 8sp Triple

PURPOSE



Competition

Recreation

CODE Y1BB2I
 COLOUR AH
 FRAME CAMALEONTE SPORT CROSS ALU GENT V-BRAKES
 FORK SUNTOUR NEX4610 V2 MLO 700C LOCKOUT
 WHEELS SHIMANO RM30/JOYTECH/JALCO DM30 LOGO CAMALEONTE



camaleonte **cross**

Lady Shimano Acera Mix 8sp Triple

PURPOSE



Competition

Recreation

CODE Y1BB3I
 COLOUR AH
 FRAME CAMALEONTE SPORT CROSS ALU GENT V-BRAKES
 FORK SUNTOUR NEX4610 V2 MLO 700C LOCKOUT
 WHEELS SHIMANO RM30/JOYTECH/JALCO DM30
 LOGO CAMALEONTE

T-ROAD

CITY

Practicality with matching elegance. These are the main features of the T-Road models, with dedicated frames characterized by both classic and sports designs. But if you use a T-Road you will appreciate above all the reliability.

VIALEABRUZZI

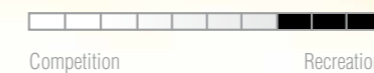
The name recalls the first, historical Bianchi seat in Milan. Tradition and innovation, in a comfortable and versatile fully equipped bicycle, suitable for moving around in the city.



VIALEABRUZZI

Gent Shimano Alivio 24sp Triple

PURPOSE



CODE Y1B57
 COLOUR CK 
 FRAME BIANCHI SPORT T-ROAD ALU GENT
 FORK ALLOY 11/8"
 WHEELS SHIMANO/JOYTECH/MACH 1

ALSO AVAILABLE IN COLOUR GI



VIALEABRUZZI

Lady Shimano Alivio 24sp Triple

PURPOSE



CODE Y1B58
 COLOUR GI 
 FRAME BIANCHI SPORT T-ROAD ALU LADY
 FORK ALLOY 11/8"
 WHEELS SHIMANO/JOYTECH/MACH 1

ALSO AVAILABLE IN COLOUR CK

CITY

S-ROAD

CITY



Nimbleness, comfort and safety, with different geometries for both male and females, triple chainsets for easy pedalling and fully equipped with practical carriers and stands. For those who ride every day, and want to ride with style.

SPILLO

In the Spillo range, we have the Diamante, Topazio, Brillante, Onice and Rubino versions which are not just a city bike, they are "the" city bike, a concept created by Bianchi in 1990. The idea is simple and brilliant: to put at an urban rider's disposal all the technology involved in the sport, with aluminium frame and with the infinite possibilities to change speed. And this is not all, the bike is fully equipped for daily use: a large carrier, protecting mudguards and lights for riding the bicycle at night in total safety.

YARD 26"


Looks like the adult models but with geometry specifically for younger people. Design and colour with attention to new trends for the younger generations. All our bikes are tested to ensure quality and safety according to all norms within the industry.

SPILLO Diamante

Gent Shimano Deore 27sp susp. fork

PURPOSE



CODE Y1BA3
COLOUR SA 
FRAME BIANCHI ALUMINIUM "HYDROFORMED" GENT
FORK SUNTOUR NCX - D - RLO
WHEELS SHIMANO/MACH 1



SPILLO Diamante

Lady Shimano Deore 27sp susp. fork

PURPOSE



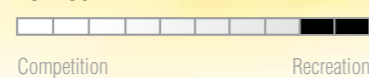
CODE Y1BA2
COLOUR SA 
FRAME BIANCHI ALUMINIUM "HYDROFORMED" LADY
FORK SUNTOUR NCX - D - RLO
WHEELS SHIMANO/MACH 1

CITY

SPILLO Topazio

Gent Shimano Alivio 24sp susp. fork

PURPOSE



CODE Y1BA4
 COLOUR SJ
 FRAME BIANCHI ALUMINIUM "HYDROFORMED" GENT
 FORK SUNTOUR NEX4610 V2 MLO
 WHEELS SHIMANO/MACH 1

ALSO AVAILABLE
 IN COLOUR LM



SPILLO Topazio

Lady Shimano Alivio 24sp susp. fork

PURPOSE



CODE Y1BA5
 COLOUR LM
 FRAME BIANCHI ALUMINIUM "HYDROFORMED" LADY
 FORK SUNTOUR NEX4610 V2 MLO
 WHEELS SHIMANO/MACH 1

ALSO AVAILABLE
 IN COLOUR SJ

SPILLO Brillante

Gent Shimano Altus 21sp

PURPOSE



CODE Y1BA6
 COLOUR SJ
 FRAME BIANCHI ALUMINIUM GENT
 FORK STEEL 1 1/8"
 WHEELS JOYTECH/MACH 1

ALSO AVAILABLE
 IN COLOUR SE



SPILLO Brillante

Lady Shimano Altus 21sp

PURPOSE



CODE Y1BA7
 COLOUR SE
 FRAME BIANCHI ALUMINIUM LADY
 FORK STEEL 1 1/8"
 WHEELS JOYTECH/MACH 1

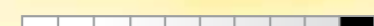
ALSO AVAILABLE
 IN COLOUR SJ

CITY

SPILLO Onice

Gent Shimano TX 55 21sp susp. fork

PURPOSE



Competition

Recreation

CODE Y1BA1
COLOUR SJ
FRAME BIANCHI ALUMINIUM GENT
FORK SUNTOUR NEX4110-V2
WHEELS JOYTECH/MACH 1

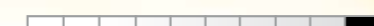
ALSO AVAILABLE
IN COLOUR SH



SPILLO Onice

Lady Shimano TX 55 21sp susp. fork

PURPOSE



Competition

Recreation

CODE Y1BA0
COLOUR SH
FRAME BIANCHI ALUMINIUM LADY
FORK SUNTOUR NEX4110-V2
WHEELS JOYTECH/MACH 1

ALSO AVAILABLE
IN COLOUR SJ

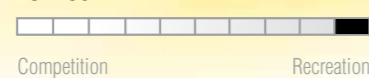


CITY

SPILLO Rubino

Gent Shimano TX 55 21sp

PURPOSE



CODE Y1BA8
 COLOUR SU 
 FRAME BIANCHI ALUMINIUM GENT
 FORK STEEL 1 1/8"
 WHEELS JOYTECH/MACH 1

ALSO AVAILABLE
 IN COLOURS SE  SJ 



SPILLO Rubino

Lady Shimano TX 55 21sp

PURPOSE



CODE Y1BA9
 COLOUR SW 
 FRAME BIANCHI ALUMINIUM LADY
 FORK STEEL 1 1/8"
 WHEELS JOYTECH/MACH 1


ALSO AVAILABLE
 IN COLOURS SU  SJ 

YARD 26"

Lady Shimano TY 18 6sp

PURPOSE



CODE Y1B553
 COLOUR HL 
 FRAME ALUMINIUM MONOTUBE 26"
 FORK STEEL 1 1/8"
 WHEELS JOYTECH/MACH 1

ALSO AVAILABLE
 IN COLOURS HM 



*HM COLOUR VERSION

CITY

VIAGGIO

CITY

The bike in its most classic shape. A Design that will never go out of fashion, like the sturdy steel frame, the chrome-plated handlebar, male and female geometry. A range dedicated for those who have in mind the most romantic image of two wheels and of course painted in elegant black.



VIAGGIO Smeraldo

Gent

PURPOSE



CODE Y5B84
COLOUR ED [redacted]
FRAME STEEL
FORK STEEL
WHEELS ALU TOURING 28"



VIAGGIO Opale

Lady

PURPOSE



CODE Y5B85
COLOUR ED [redacted]
FRAME STEEL
FORK STEEL
WHEELS ALU TOURING 26"

CITY

JUNIOR

A little rider has to enjoy a great bike. Growing, kilometre after kilometre, together with the bicycle. The Bianchi Junior range will accompany them from the age of 3 onwards, both on and off-road.

JUNIOR 24" ALU

A champion's bicycle small in scale, with an aluminium frame and all Bianchi technology, for the first experiences on road.

DUEL 24"/20"

A super sloping frame in aluminium with square section tubes, because little riders are not that little.

YARD 24"/20"

Frames with the correct geometry and components developed specifically for the younger rider. Attention about safety, quality but, overall on design and colour.

DRAGON 2/EAGLE 1

An indestructible frame, manoeuvrable and with a lot of fun in its DNA. For a game which has just only started.

MOMO CIACIÀ 16"/12"

Special aluminium frames, dedicated components, total safety, because these bicycles are produced in compliance with strict regulations, and the greatest fun!



JUNIOR 24" ALU

Shimano 2300 16sp



CODE Y1B42I
COLOUR 6I
FRAME ALUMINIUM
FORK STEEL
WHEELS JOYTECH/AMBROSIO BALANCE

JUNIOR

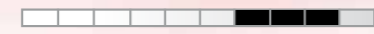


JUNIOR

DUEL 24"

Shimano TY 18 18sp

PURPOSE



Competition Recreation



CODE Y1B409
COLOUR HH
FRAME BIANCHI ALU 24"
FORK HL CH-327E 24" STEEL SUSPENSION
WHEELS JOYTECH/ALLOY RIM

ALSO AVAILABLE
IN COLOUR HG

DUEL 20"

Shimano TY 18 6sp

PURPOSE



Competition Recreation



CODE Y1B407
COLOUR HG
FRAME BIANCHI ALU 20"
FORK HL CH-327E 20" STEEL SUSPENSION
WHEELS JOYTECH/ALLOY RIM

ALSO AVAILABLE
IN COLOUR HH

YARD 24"

Shimano TY 18 18sp

PURPOSE



Competition Recreation



CODE Y1B418
COLOUR HN
FRAME BIANCHI ALU GIRL 24"
FORK STEEL 24"
WHEELS JOYTECH/ALLOY RIM

ALSO AVAILABLE
IN COLOUR HJ

YARD 20"

Shimano TY 18 6sp

PURPOSE



Competition Recreation



CODE Y1B16
COLOUR HJ
FRAME BIANCHI ALU GIRL 20"
FORK STEEL 20"
WHEELS JOYTECH/ALLOY RIM

ALSO AVAILABLE
IN COLOUR HN

DRAGON 2

PURPOSE



Competition Recreation



CODE Y1B79
COLOUR X0
FRAME FREESTYLE STEEL 20"
FORK FULL STEEL 1 1/8 - 28.6 CROMO BLADE, U-BRAKE PIVOT
WHEELS JOYTECH/WEIMANN BMX ETRTO 20"

JUNIOR

EAGLE 1

PURPOSE



Competition Recreation



CODE Y0B78
COLOUR 6W
FRAME FREESTYLE STEEL 20"
FORK FULL STEEL 1 1/8 - 28.6 U-BRAKE PIVOT
WHEELS JOYTECH/WEIMANN RIM CN520 20"

JUNIOR

MOMO CIACIÀ Boy 16"



CODE Y1B441
 COLOUR FE
 FRAME BIANCHI ALLOY 16" BOY
 FORK STEEL 16"

ALSO AVAILABLE
 IN COLOUR FD

MOMO CIACIÀ Girl 16"



CODE Y1B451
 COLOUR FB
 FRAME BIANCHI ALLOY 16" GIRL
 FORK STEEL 16"

ALSO AVAILABLE
 IN COLOUR FA

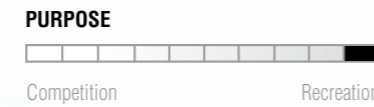
MOMO CIACIÀ Boy 12"



CODE Y1B421
 COLOUR FD
 FRAME BIANCHI ALLOY 12" BOY
 FORK STEEL 12"

ALSO AVAILABLE
 IN COLOUR FE

MOMO CIACIÀ Girl 12"



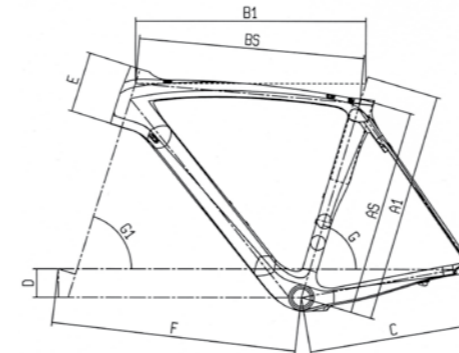
CODE Y1B431
 COLOUR FA
 FRAME BIANCHI ALLOY 12" GIRL
 FORK STEEL 12"

ALSO AVAILABLE
 IN COLOUR FB

GEOMETRIES

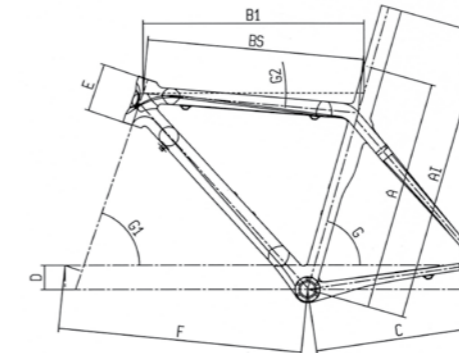
2011 Road Geometries

HoC - Carbon OLTRE



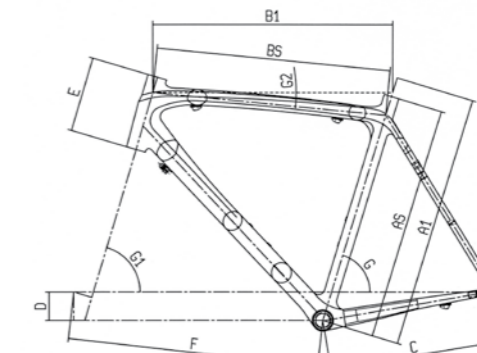
MIS.SLP										
A1	AS	B1	BS	C	D	E	F	G	G1	G2
500	450	525	514	400	58	115	580	74.5°	71.5°	6°
530	475	535	523	406	68	130	581	74°	72°	6°
550	495	550	530	407	68	145	587	73.5°	72.5°	6°
570	515	560	549	407	68	160	593	73.5°	73°	5°
590	535	575	563	409	68	180	603	73°	73°	5°
610	555	585	572	411	68	200	603	72.5°	73.5°	5°

HoC - 928 Carbon SL IASP



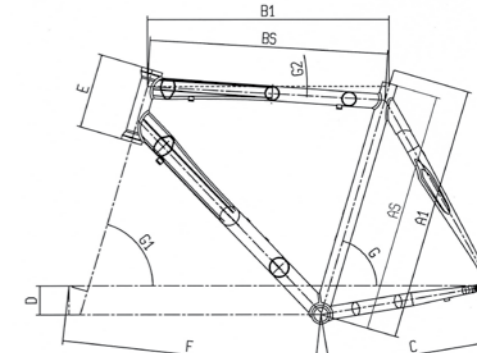
MIS.SLP											
A	AI	B1	BS	C	D	E	F	G	G1	G2	G3
500	700	525	512	405	58	115	580	74.5°	71.5°	6°	6°
530	730	535	522	406	68	130	581	74°	72°	6°	6°
550	750	550	537	407	68	145	589	73.5°	72.5°	5.5°	6°
570	770	560	548	407	68	160	595	73.5°	73°	5°	6°
590	790	575	562	409	68	180	600	73°	73.5°	5°	6°
610	810	585	572	410	68	200	605	72.5°	73.5°	5°	6°

B4P - Carbon SEMPRE



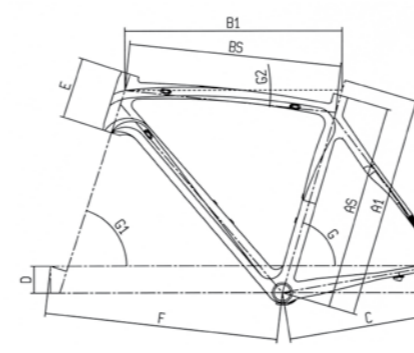
MIS.SLP											
A1	AS	B1	BS	C	D	E	F	G	G1	G2	
500	470	524	510	405	58	115	583	74.5°	71°	6°	
530	500	535	521	406	68	130	585	74°	71.5°	6°	
550	520	550	535	408	68	145	587	73.5°	72.5°	6°	
570	540	560	546	408	68	160	593	73.5°	73°	5°	
590	560	575	561	409	68	180	598	73°	73.5°	5°	
610	580	585	570	410	68	200	603	72.5°	73.5°	5°	

B4P - 1885 Alu Carbon



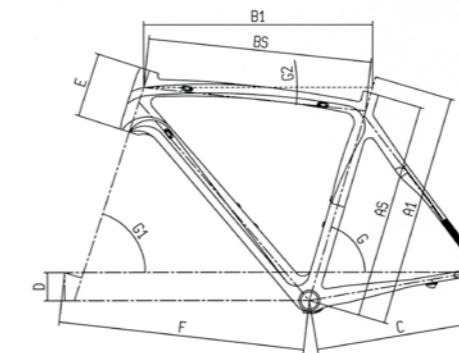
MIS.SLP											
A1	AS	B1	BS	C	D	E	F	G	G1	G2	
490	460	523	510	400	58	110	582	74.5°	71°	6°	
510	480	526	517	403	58	110	583	74°	71°	5°	
530	500	535	524	406	68	125	585	74°	71.5°	5°	
550	520	550	538	407	68	140	587	73.5°	72.5°	5°	
570	540	560	549	407	68	155	588	73.5°	73°	4°	
590	560	575	563	409	68	175	598	73°	73.5°	4°	
610	580	585	572	410	68	195	603	72.5°	73.5°	4°	
630	600	595	583	410	68	210	612	72.5°	73.5°	4°	

C2C - Carbon INFINITO



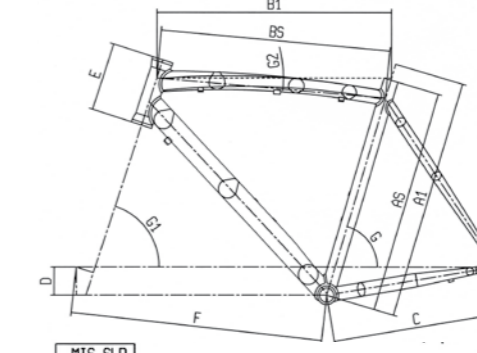
MIS.SLP											
A1	AS	B1	BS	C	D	E	F	G	G1	G2	
470	440	515	500	406	68	125	577	75°	71°	10°	
500	470	525	509	408	68	140	579	74.5°	71.5°	8°	
530	500	535	521	408	68	155	585	74°	71.5°	6°	
550	520	550	534	410	68	170	590	73.5°	72°	6°	
570	540	560	547	410	68	185	597	73.5°	72.5°	5°	
590	560	575	560	412	68	205	607	73°	72.5°	5°	
610	580	585	570	412	68	225	612	72.5°	72.5°	5°	

C2C - Carbon INFINITO Lady



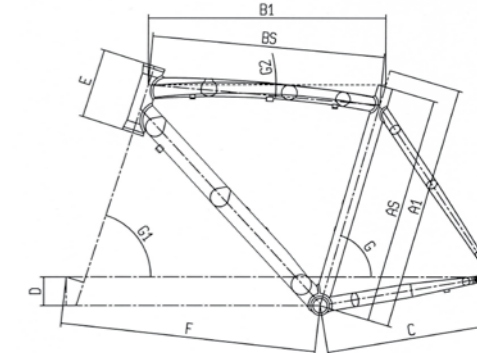
MIS.SLP											
A1	AS	B1	BS	C	D	E	F	G	G1	G2	
470	440	515	500	406	68	125	577	75°	71°	10°	
500	470	525	509	408	68	140	579	74.5°	71.5°	8°	
530	500	535	521	408	68	155	585	74°	71.5°	6°	
550	520	550	534	410	68	170	590	73.5°	72°	6°	

C2C - VIA NIRONE 7 Alu



MIS.SLP											
A1	AS	B1	BS	C	D	E	F	G	G1	G2	
440	420	510	494	406	58	110	577	75°	70.5°	10°	
460	440	520	504	408	58	115	578	74.5°	71°	9°	
500	470	525	511	408	68	120	579	74.5°	71.5°	7°	
530	500	535	522	408	68	135	585	74°	71.5°	6°	
550	520	550	538	410	68	145	591	73.5°	72°	5°	
570	540	560	548	410	68	165	602	73.5°	72°	5°	
590	560	575	563	410	68	180	607	73°	72.5°	4°	
610	580	585	572	412	68	200	612	72.5°	72.5°	4°	
630	600	595	583	412	68	210	617	72.5°	73°	4°	

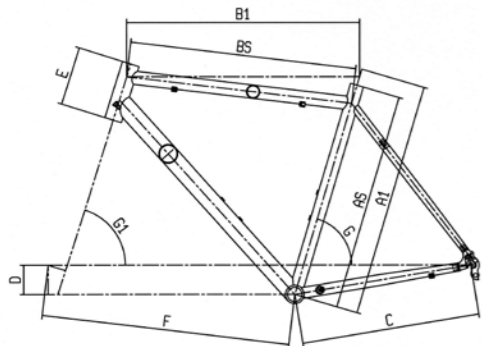
C2C - VIA NIRONE 7 Lady Alu



MIS.SLP											
A1	AS	B1	BS	C	D	E	F	G	G1	G2	
440	420	510	494	406	58	110	577	75°	70.5°	10°	
460	440	520	504	408	58	115	578	74.5°	71°	9°	
500	470	525	511	408	68	120	579	74.5°	71.5°	7°	
530	500	535	522	408	68	135	585	74°	71.5°	6°	

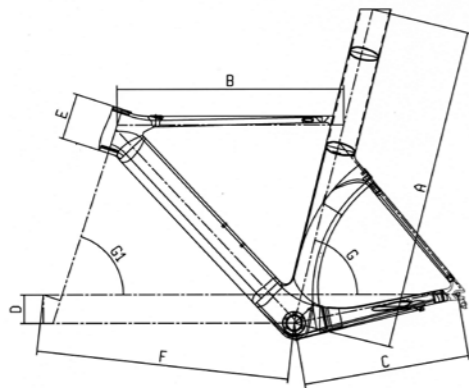
2011 Road Geometries

C2C - VIA NIRONE 7 2300 Alu



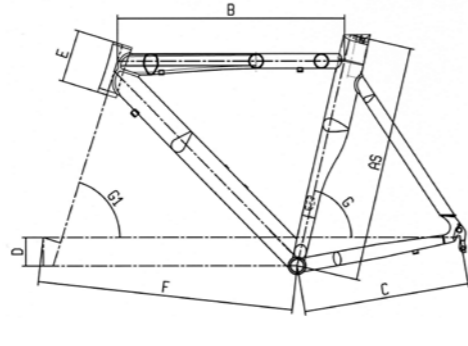
MIS. SLP									
A1	AS	B1	BS	C	D	E	F	G	G1
490	460	540	522	425	70	110	578	73.5	72.5
520	490	548	533	425	70	110	585	73.5	72.5
550	520	555	540	425	70	140	591	73.5	72.5
580	550	562	550	425	70	155	600	73.5	72.5
610	580	576	562	425	70	195	615	73.5	72.5

D2 PICO CRONO-TRIATHLON Carbon



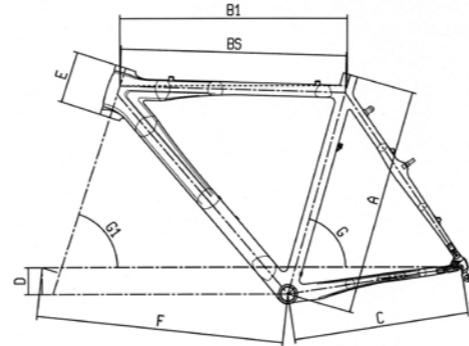
MIS.									
A	B	C	D	E	F	G	G1		
XS	680	505	395	68	80	573	76	71	
S	720	520	395	68	90	580	76	71	
M	770	540	395	68	110	602	76	72	
L	820	570	395	68	130	625	76	73	

D2 CRONO-TRIATHLON Alu



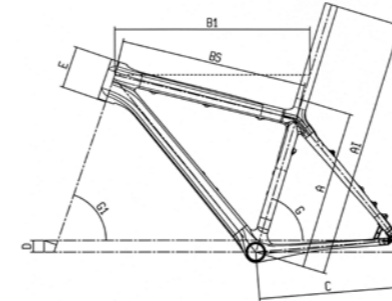
Mis. Crono Geometry									
AS	B	C	D	E	F	G	G1		
510	520	515	394	68	85	580	76	71.5	
530	530	530	394	68	90	591	76	72	
550	540	540	396	68	90	597	75.5	72	
570	550	550	396	68	100	604	75.5	72.5	
590	560	565	400	68	110	610	75	73	
610	570	575	400	68	120	620	75	73	

D2 CICLOCROSS CAVARIA Carbon



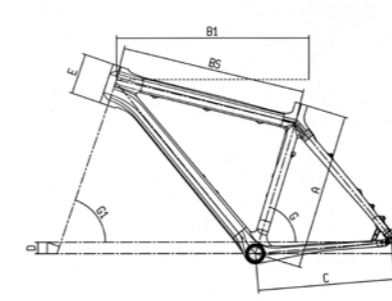
MIS.									
A	BS	B1	C	D	E	F	G	G1	
490	510	525	425	65	110	582	74	71	
520	520	530	425	65	110	583	74	71.5	
550	545	550	425	65	125	599	74	72	
580	560	560	425	65	140	609	74	72	
610	585	585	430	65	175	620	72.5	72	

MTB - METHANOL SL Carbon



MIS.								
A	AI	B1	BS	C	D	E	G	G1
430	730	570	546	420	35	115	73	71
480	780	590	565	420	35	125	73	71
530	830	615	592	420	35	135	73	71

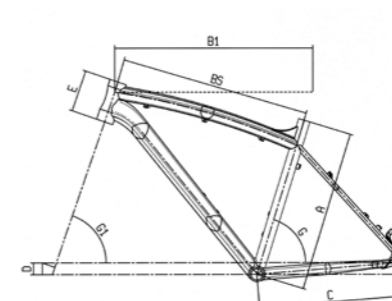
MTB - METHANOL SX Carbon



MIS.							
A	B1	BS	C	D	E	G	G1
430	570	546	420	35	115	73	71
480	590	565	420	35	125	73	71
530	615	592	420	35	135	73	71

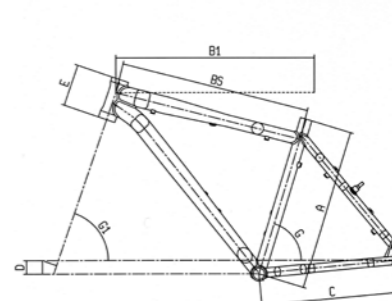
2011 MTB Geometries

MTB - JAB Alu



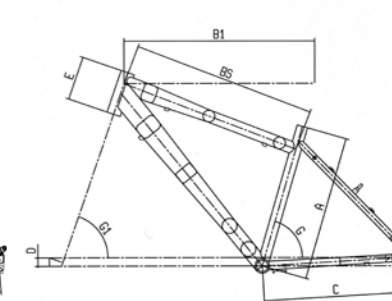
MIS.							
A	B1	BS	C	D	E	G	G1
380	540	524	425	35	110	73	70
430	570	547	425	35	115	73	71
480	590	565	425	35	125	73	71
530	615	590	425	35	135	73	71

MTB - KUMA Alu



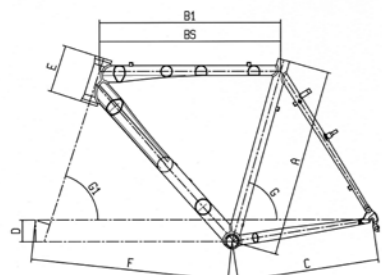
MIS.							
A	B1	BS	C	D	E	G	G1
380	540	522	425	40	110	73	71
430	570	546	425	40	120	73	71
480	590	565	425	40	130	73	71
530	615	592	425	40	140	73	71

MTB - BIKEMOTARD Alu
DUEL Man 26" Alu



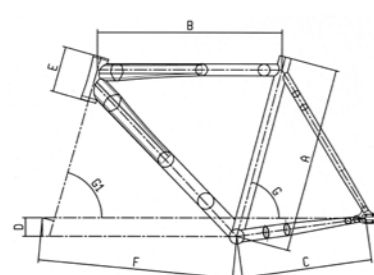
MIS.							
A	B1	BS	C	D	E	G	G1
380	543	530	425	25	115	74	71
430	565	545	425	25	130	74	71
480	585	560	425	25	130	74	71
530	610	586	425	25	150	74	71

D2 CICLOCROSS ZURIGO Alu



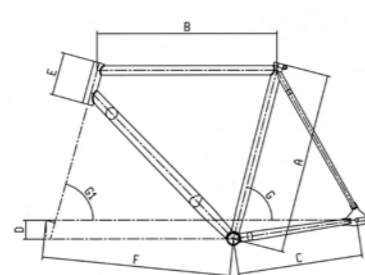
MIS.									
A	BS	B1	C	D	E	F	G	G1	
490	511	525	425	65	110	574	74	72	
520	521	530	425	65	110	578	74	72	
550	545	550	425	65	125	590	74	72	
580	560	560	425	65	140	610	74	72	
610	585	585	430	65	175	620	72.5	72	

D2 PISTA Alu - SEI GIORNI -
DALMINE Alu



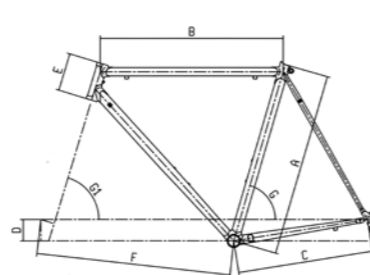
MIS.									
A	B	C	D	E	F	G	G1		
490	520	382	55	105	576	76	73		
510	525	382	55	115	582	76	73		
530	535	383	55	125	584	75.5	73.5		
550	545	385	55	140	590	75	73.5		
570	560	385	55	155	593	75	73.5		
590	575	386	55	175	610	74.5	73.5		
610	590	386	55	195	620	74.5	73.5		
630	590	388	55	210	625	74	73.5		

D2 PISTA Steel - VIA BRERA -
VIA CONDOTTI



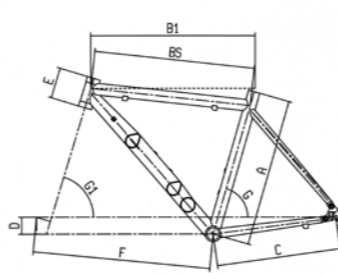
MIS.									
A	B	C	D	E	F	G	G1		
490	523	385	58	78	576	76	73		
510	525	388	58	95	578	76	73		
530	535	388	58	110	579	75.5	72		
550	550	388	58	130	592	75.5	72.5		
570	560	388	58	150	599	75.5	72.5		
590	575	388	58	170	610	75	73		
610	585	388	58	187	614	74.5	73		

Classic - DOLOMITI



MIS.									
A	B	C	D	E	F	G	G1		
490	520	407	70	100	570	74	71.5		
530	535	407	70	100	585	74.5	72		
560	550	410	70	130	592	73.5	72		
590	580	410	70	163	607	73	73		
610	595	410	70	181	617	72.5	73		

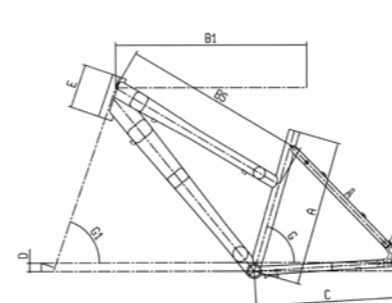
JUNIOR 24 Alu



MIS.									
A	B1	BS	C	D	E	F	G	G1	
410	454	444	343	47	85	490	74	73	

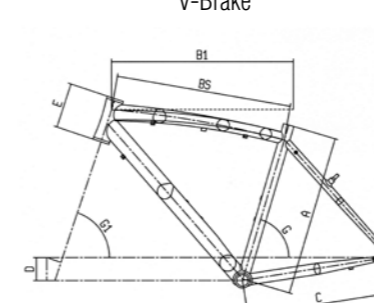
2011 MTB Geometries

MTB - DUEL Lady 26" Alu



MIS.							
A	B1	BS	C	D	E	G	G1
430	560	555	425	25	130	74	71
480	577	561	425	25	130	74	71

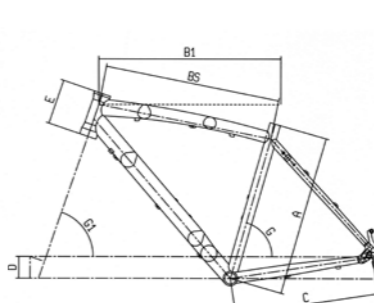
Sport - CAMALEONTE 5-4-1
V-Brake



MIS.							
A	B1	BS	C	D	E	G	G1
430	525	506	420	65	125	74.5	71
480	545	526	420	65	135	74	71
530	565	547	420	65	155	73.5	71.5
580	590	574	420	65	185	73	72

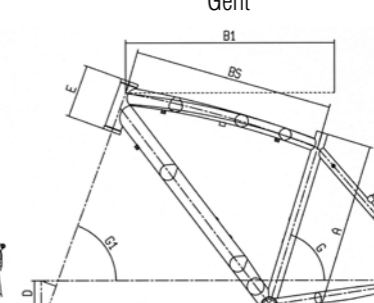
2011 Sport Geometries

Sport - CAMALEONTE 3-2 Disc



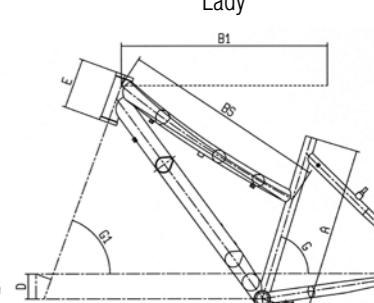
MIS.							
A	B1	BS	C	D	E	G	G1
430	525	506	430	65	125	74.5	71
480	545	526	430	65	135	74	71
530	565	547	430	65	155	73.5	71.5
580	590	574	430	65	185	73	72

Sport - CAMALEONTE CROSS
Gent



MIS.							
A	B1	BS	C	D	E	G	G1
470	575	550	455	65	140	73	70
510	590	564	455	65	150	73	70
550	605	580	450	65	170	73	70

Sport - CAMALEONTE CROSS
Lady



MIS.							
A	B1	BS	C	D	E	G	G1
430	565	562	455	65	140	73	70
470	575	573	450	65	140	73	70

ROAD C2C

	Via Nirone 7 Dama Bianca Alu LADY Shimano 105 10sp Compact Y1BF2	Via Nirone 7 Bianchi FN11 Kvid Alu/Carbon B4P - 1.1/8" VP-A42E
MODEL	VIA NIRONE 7 HYDRO ALU	VIA NIRONE 7 HYDRO ALU
CODE	Y1BF2	Y1BF3
COLOR	XP	CK -XW
SIZES	44-46-50-53-55	44-46-50-53-55
FRAME	Bianchi FN11 Kvid Alu/Carbon B4P - 1.1/8" Fsa Z54-CUSTOM	Bianchi FN11 Kvid Alu/Carbon B4P - 1.1/8" VP-A42E
FORK	Shimano 105 Black 10sp	Shimano SORA 9sp
HEADSET	Shimano 105 Black 10sp	Shimano SORA 9sp
SHIFTERS	Shimano 105 Black 10sp	Shimano SORA 9sp
REAR DERAILLEUR	Fsa Omega MegaExo Compact 10sp 50/34	Fsa VERO Compact 9sp 50/34
FRONT DERAILLEUR	Kmc X10 10sp	KMC X9 9sp
CHAIN	Shimano 105 10sp 12/25	Shimano TIAGRA 9sp 12/25
SPROCKET	Reparto Corse RC-471 forged Alloy Dual-Pivot integrated	Reparto Corse RC-471 forged Alloy Dual-Pivot integrated
BRAKES	Maddux RX 5.1 custom black color, logo reparto corse	
WHEELS		Joytech F192SB ALLOY 28H
REAR HUB		Joytech A141SB ALLOY 28H
FRONT HUB		
SPOKES		Inox 2mm - BLACK + 4 RED spokes per wheels
RIMS		
TIRE	Vittoria Zaffiro Slick 700x23	Vittoria Zaffiro Slick 700x23
STEM	Reparto Corse DA-32 3D forged alloy Super Over	Reparto Corse DA-32 3D forged alloy Super Over
HANDLEBAR	Reparto Corse JD-RA39A alloy for lady	Reparto Corse JD-RA39A alloy for lady
GRIPS	Velo VLT-001	Velo VLT-001
SEATPOST	Reparto Corse SP-222 alloy 31,6 mm	Reparto Corse SP-222 alloy 31,6 mm
SADDLE	Active FM-9006 for Lady	Active FM-9006 for Lady
PEDALS	NO	NO
WATERBOTTLE HANGER	Alloy cage black color	Alloy cage black color

ROAD D2

	D2 PICO Crono/Triathlon Carbon Shimano Ultegra 10 sp	D2 Crono/Triathlon Alu Shimano 105 10 sp	D2 Crono/Triathlon Alu Shimano Tiagra 9sp	D2 Ciclocross Carbon CAVARIA Shimano Ultegra/105 10sp	D2 Ciclocross alu ZURIGO Sram APEX 10sp
MODEL	D2 PICO Crono/Triathlon Carbon Shimano Ultegra 10 sp	D2 Crono/Triathlon Alu Shimano 105 10 sp	D2 Crono/Triathlon Alu Shimano Tiagra 9sp	D2 Ciclocross Carbon CAVARIA Shimano Ultegra/105 10sp	D2 Ciclocross alu ZURIGO Sram APEX 10sp
CODE	Y1B40	Y1B44	Y1B43	Y1B48	Y1B49
COLOR	XT	XT	XT	CK	AI
SIZES	XS=680-S=720-M=770-L=820	51-53-55-57-59-61	49-52-55-57-59-61	49-52-55-58-61	49-52-55-58-61
FRAME	D2 CRONO/TRIATHLON CARBON Bianchi FF36 Full Carbon D2 CRONO Super Aero 1.1/8"	D2 CRONO ALU AREO Bianchi FKU Carbon/Alu 11/8" Fsa Orbit C	D2 CRONO ALU AREO Bianchi FKU Carbon/Alu 11/8" Fsa Orbit C	D2 CICLO CROSS CARBON Bianchi FC7 Cyclocross - Carbon/alu 1.1/8"	D2 CICLO CROSS ALU Hydroforming Bianchi FC7 Cyclocross - Carbon/alu 1.1/8" Fsa NO.9M/CUP/TH-CX
HEADSET	Shimano DURA ACE bar end	Shimano DURA ACE bar end	Microshift Bar end shifter for 9sp	Shimano ULTEGRA 10sp	Sram SL APEX 10sp
SHIFTERS	Shimano ULTEGRA 10sp	Shimano ULTEGRA 10sp	Shimano Tiagra 9sp	Shimano ULTEGRA 10sp	Sram APEX 10sp
REAR DERAILLEUR	Shimano 105 Black 10sp	Shimano 105 Black 10sp	Shimano Tiagra 9sp	Shimano ULTEGRA 10sp	Sram APEX 10sp
FRONT DERAILLEUR	Fsa GOSSAMER PRO double 53/39	Fsa GOSSAMER PRO double 10sp 53/39	Fsa Vero Double 9sp 53/39	Fsa Energy Cross MegaExo 46/36	Fsa Omega MegaExo Compact 10sp 50/34
CRANKSET	Kmc X10 10sp	Kmc X10 10sp	KMC X9 9sp	Kmc X10 10sp	Kmc X10 10sp
CHAIN	Shimano 105 10sp 12/25	Shimano 105 10sp 12/25	Shimano TIAGRA 9sp 12/25	Shimano 105 10sp 12/25	Shimano TIAGRA 9sp 12/25
SPROCKET	Reparto Corse RC-471 forged Alloy Dual-Pivot	Reparto Corse RC-471 forged Alloy Dual-Pivot	Reparto Corse RC-471 forged Alloy Dual-Pivot	Avid Shorty 4 cantilever, black integrated + SAFETY BRAKE LEVER RL-721 L/R	Avid Shorty 4 cantilever, black integrated + SAFETY BRAKE LEVER RL-721 L/R
BRAKES	Tektro RX 4.1 alloy	Tektro RX 4.1 alloy	Tektro RX 4.1 alloy	Fulcrum new Racing 7 black - HG-	Joytech F192SB ALLOY 32H
WHEELS	Fulcrum Racing 7 black custom	Shimano WH-R510	Shimano WH-R500	Fulcrum new Racing 7 black - HG-	Joytech A141SB ALLOY 32H
REAR HUB					Inox 2mm - BLACK + 4 RED spokes per wheels
FRONT HUB					Jalco DRX4000 with logo reparto corse
SPOKES					Jalco DRX4000 with logo reparto corse
RIMS					Vittoria Cross XG 700X32C
TIRE	Vittoria Zaffiro Pro Slick 700x23	Vittoria Zaffiro Pro Slick 700x23	Vittoria Zaffiro Pro Slick 700x23	Vittoria Cross XG 700X32C	Reparto Corse DA-42 super light alloy 2014, lapgate in carbon
STEM	Vision ST-RO-170-05/OE alloy	Vision ST-RO-170-0E alloy	Vision ST-RO-170-0E alloy	Reparto Corse DA-32 3D forged alloy Super Over	Reparto Corse JD-RA37A Compact alloy 2014
HANDLEBAR	Vision TriMax Alloy Semi-Integrated - flat wing	Fsa HB-RO-b250/OE Alloy	Fsa HB-RO-b250/OE Alloy	Reparto Corse SP-968-G Carbon fiber 31.6mm	Reparto Corse JD-RA37A Compact alloy 2014
BAR END	Included on bar	Fsa OE HB-RO-a400/RB/OE, TT Clip On R-Bend alloy	Fsa OE HB-RO-a400/RB/OE, TT Clip On R-Bend alloy	Active FM-5257 - steel rail	VP-M31 dual sides steel
GRIPS	La spirale Ribbon	Velo VLT-001	Velo VLT-001	Velo VLT-001	Alloy cage black color
SEATPOST	Included on frame - Integrated seatpost	Aero carbon	Aero carbon	Reparto Corse SP-222 alloy 31,6 mm	
SADDLE	Selle San Marco PONZA TT	Selle San Marco PONZA TT	Selle San Marco PONZA TT	VP-M31 dual sides steel	
PEDALS	NO	NO	no	Alloy cage black color	
WATERBOTTLE HANGER	NO	NO	no		

ROAD URBAN FIXED GEAR

	MODEL	Pista Steel	Pista Via CONDOTTI Steel (road handlebar)	PISTA VIA BRERA steel (flat handlebar)	PISTA SEI GIORNI Alu (road handlebar)	PISTA DALMINE Alu (road handlebar)
MODEL						
CODE	Y1BC1	Y1BC0	Y1B17	Y1BC2	Y1B13	Y1B13
COLOR	KC - KE	LN	LM	KF	KH	KH
SIZES	49-51-53-55-57-59-61	49-51-53-55-57-59-61	49-51-53-55-57-59-61	49-51-53-55-57-59-61	49-51-53-55-57-59-61	49-51-53-55-57-59-61
FRAME	Bianchi CrMo (Steel) butted CrMo (Steel) butted 1"	Bianchi CrMo (Steel) butted CrMo (Steel) butted 1"	Bianchi CrMo (Steel) butted CrMo (Steel) butted 1"	Bianchi Alloy Carbon/alu fork	Bianchi Alloy Carbon/alu fork	Bianchi Alloy Carbon/alu fork
FORK	VP-A34C	VP-A34C	VP-A34C	Fsa Orbit CE Plus	Fsa Orbit CE Plus	Fsa Orbit CE Plus
HEADSET	NO	NO	NO	NO	NO	NO
SHIFTERS	NO	NO	NO	NO	NO	NO
REAR DERAILLEUR	NO	NO	NO	NO	NO	NO
FRONT DERAILLEUR	NO	NO	NO	NO	NO	NO
CRANKSET	FSA model Gimondi CK-633S - 48T	FSA model Gimondi CK-633S - 48T	FSA model Gimondi CK-633S - 48T	Truativ TOURO Track 1.1 48T	Truativ TOURO Track 1.1 48T	Kmc Z610H blue color
CHAIN	Kmc Z610H	Kmc Z610H	Kmc Z610H	Kmc Z610H red color	Kmc Z610H blue color	Kmc Z610H blue color
SPROCKET	Shimano SS-7600 16T	Shimano SS-7600 16T	Sram 16T	Shimano SS-7600 16T	Sram 16T	Sram 16T
BRAKES	RC-466E front brake	RC-466E front brake	RC-466E front and rear brake	RC-466E front and rear brake	RC-466E front and rear brake	RC-466E front and rear brake
BRAKE LEVER	Leechi BL-250 (only front)	Tektro RX-41 (only front)	Shimano BL-R550-S	Tektro RX-41 (only front)	Tektro RX-41 (only front)	Shimano BL-R550-S
WHEELS	ALEX Track Wheelset SOLO, 32h flip/flop	Maddux Track F15 anodized silver, seal bearing, low profile 15mm		Maddux Track F15 profile 30mm color white		
REAR HUB			Sram Torpedo Alloy 32H		Sram Torpedo Alloy 32H	
FRONT HUB			Jalco F15 Alloy track hub 32H		Jalco F15 Alloy track hub 32H	
RIMS			Jalco DRX 2000 alloy- shiny Silver 32H		Jalco DRX 2000 alloy- shiny Silver 32H	
TIRE	Vittoria Zaffiro 700x23	CST 700X23 black with skinside wall	CST 700X23 full black	CST 700X23 full black	CST 700X23 full black	CST 700X23 full black
STEM	Rc AS-006 Alloy 3D-Forged	Rc AS-006 Alloy 3D-Forged	Lee Chi RQ-412 / RQ-418 Alloy-barrel silver	Kalloy AS-008 Alloy color white	Kalloy AS-008 Alloy color white	Kalloy AS-008 Alloy color white
HANDLEBAR	Rc 4002R Steel - Chrome. 26.0mm clamp	Rc 4002R Steel - Chrome. 26.0mm clamp	LCH-684, Silver anodized, 540 mm. Bar bore 25.4 mm, no logo	Kalloy HB-CM21 color white	LCH-684, Silver anodized, 540 mm color white	LCH-684, Silver anodized, 540 mm color white
GRIPS	Velo VLT-004	Velo VLG-048 cork	Velo VLG-048 cork	Velo VLT-011-113 red sudue tapes grip	Velo VLG-048-03 Super light foam grip blue color	Velo VLT-011-113 red sudue tapes grip
SEATPOST	Rc SP-600, Alloy - 27.2mm	Rc SP-600, Alloy - 27.2mm	Rc SP-600, Alloy - 27.2mm	SP-600, Alloy, 31.6mm white color	SP-600, Alloy, 31.6mm white color	SP-600, Alloy, 31.6mm white color
SADDLE	Velo VL-1166	Velo VL-1356 Suede cover Black	Velo VL-1356 Suede (mocka) cover Light Brown	Velo VL-1356 Suede cover Red	Velo VL-1356 Suede cover Blue	Velo VL-1356 Suede cover Blue
PEDALS	Welligo LU-895	VP-189TR + with steel clips and white toe straps	VP-189TR + with steel clips and white toe straps	VP-189TR + with steel clips and white toe straps	VP-189TR + with steel clips and white toe straps	VP-189TR + with steel clips and white toe straps
WATERBOTTLE HANGER	NO	NO	NO	NO	NO	NO

ROAD FRAME

	MODEL	OLTRE	OLTRE x Di2 electronic	928 Carbon SL (IASP-integrated aero seatpost)	SEMPRE	1885 Alu Carbon	Classic Dolomiti	INFINITO	D2 Crono Triathlon Carbon	D2 Pista ALU	D2 Ciclocross CAVARIA Carbon
MODEL											
CODE	X1803	X1802	X0B03	X1813	X1810	X0B16	X1801	X1806	X1808	X1809	X1809
COLOR	CK - YA - XR	CK - YA - XR	YA - 1F - 1G	XY - ZA - ZC	YT	CK	X0 - XP - YI - ZE - 1A	XT	KF	CK	CK
SIZES	50-53-55-57-59-61	50-53-55-57-59-61	50-53-55-57-59-61	50-53-55-57-59-61	49-51-53-55-57-59-61-63	49-53-56-59-61	47-50-53-55-57-59-61	XS=680-S=720-M=770-L=820	49-63 x 2cm	49-52-55-58-61	49-52-55-58-61
FRAME	OLTRE carbon, Headset 1.5" - 1.1/8", X-16x technology, UTSS Ultra Thin Seat Stay, Internal cable routing, BB30 system	OLTRE carbon, Headset 1.5" - 1.1/8", X-16x technology, UTSS Ultra Thin Seat Stay, Internal cable routing, BB30 system	928 Carbon SL - IASP integrated aero seatpost - UD finish	SEMPRE Carbon - BB30 system, UTSS Ultra Thin Seat Stay	1885 Alu Carbon - B4P	Steel Lugged Chromoly double butted sizes	INFINITO Carbon - K-Vid with Kevlar insert	D2 CRONO/TRIATHLON Carbon	D2 PISTA Alu	D2 CICLO CROSS Carbon	D2 CICLO CROSS Carbon
FORK	Full CARBON HoC1.5">1.1/8"	Full CARBON HoC1.5">1.1/8"	Bianchi Full Carbon HoC - 1.1/8"	Bianchi FN11 Alu/Carbon B4P - 1.1/8"	Bianchi Carbon Alu FN11 B4P - 1.1/8"	Bianchi Steel Cr-mo - 1"	Bianchi FF35 K-Vid Full Carbon with Kevlar - 1 1/8"	Bianchi Full Carbon FF36 D2 CRONO - 1.1/8"	Bianchi Carbon/Alu FKU - 11/8"	Bianchi ACC-A619N Full Carbon 1.1/8"	
HEADSET	Fsa Orbit C-40-CF-ACB 1 1/8" - 1.5" + Carbon Ti X- Plug with logo Bianchi	Fsa Orbit C-40-CF-ACB 1 1/8" - 1.5" + Carbon Ti X- Plug with logo Bianchi	Fsa Orbit CF	Fsa Orbit CE Plus	Fsa Z54-CUSTOM Semi Integrated	Fsa Duron 1"	Fsa Orbit CE Plus	Fsa Orbit CE Plus	Fsa Orbit CE Plus	Fsa Orbit C-CX NO.8-CX for cyclocross	
SEATPOST	OLTRE Full Carbon Aero special dimension	OLTRE Full Carbon Aero special dimension	Fsa K-Wing Integrated Aero SP-RK-175 - carbon	NO	NO	NO	NO	Integrated	NO	NO	
SEATPOST QR	Included in the frame	Included in the frame	Fac Michelin "X Carbon System" 36mm, Black, with Bianchi logo	NO	NO	NO	Fac Michelin "X Carbon System" - Black	Alloy QR adjustable	Tranz X SC08 Alloy	Fac Michelin "X Carbon System" - Black	
VARIOUS	Ergal screws Carbon Ti	Ergal screws Carbon Ti					Ergal screws Carbon Ti	Tool for cutting seat tube CRONO CARB 2			

MTB RACING

	MODEL	METHANOL SL TEAM REPLICA Shimano XT 2x10sp Disc	METHANOL SL 9000 Shimano XT 2x10sp Disc	METHANOL SL 9700 Sram X9 2x10sp Disc	METHANOL SL 9500 Sram X9 2x10sp Disc	METHANOL SX 9300 Shimano XT/SLX 3x10sp Disc	METHANOL SX 9000 Shimano XT/Deore 9sp Disc
MODEL							
CODE	Y1B63	Y1B62	Y1B67	Y1B98	Y1B61	Y1B69	Y1B69
COLOR	JM	1K	LX	1K, JM	LX	LX, YI	LX, YI
SIZES	43-48-53	43-48-53	43-48-53	43-48-53	43-48-53	43-48-53	43-48-53
FRAME	Bianchi Methanol SL Carbon, w/ BB30 and DFIS	Bianchi Methanol SL Carbon, w/ BB30 and DFIS	Bianchi Methanol SL Carbon, w/ BB30 and DFIS	Bianchi Methanol SL Carbon, w/ BB30 and DFIS	Bianchi Methanol SL Carbon, standard BSA BB	Bianchi Methanol SX Carbon, standard BSA BB	Bianchi Methanol SX Carbon, standard BSA BB
FORK	Magura Durin Race MD100R RCL, 100mm travel, remote lockout (RLC)	Magura Durin Race MD100R RCL, 100mm travel, remote lockout (RLC)	Magura Durin Race MD100R RCL, 100mm travel, remote lockout (RLC)	Magura Durin Race MD100R RCL, 100mm travel, remote lockout (RLC)	Rock Shox REBA RL, 100mm travel, remote lockout Poploc	Rock Shox Recon Silver Tk Coil, 100mm travel, remote lockout Poploc	Rock Shox Recon Silver Tk Coil, 100mm travel, remote lockout Poploc
FORK OPTION 1*	//	//	Rock Shox SID RLT, 100mm travel, remote lockout Poploc	Rock Shox SID RLT, 100mm travel, remote lockout Poploc	Rock Shox SID RLT, 100mm travel, remote lockout (RLC)	Rock Shox Recon Silver Tk Coil, 100mm travel, remote lockout (RLC)	Rock Shox Recon Silver Tk Coil, 100mm travel, remote lockout (RLC)
HEADSET	FSA ORBIT Z, white colour	FSA ORBIT Z, white colour	FSA ORBIT Z, white colour	FSA ORBIT Z, white colour	FSA ORBIT Z, white colour	FSA ORBIT ZS-3	FSA ORBIT ZS-3
SHIFTERS	Sram XX	Shimano XTR	Sram X0	Sram X9	Shimano SLX	Shimano DEORE	Shimano DEORE
REAR DERAILLEUR	Sram XX, medium cage, 10sp	Shimano XTR, long cage, 10sp	Sram X0, red, medium cage, 10sp	Sram X9, white, medium cage carbon, 10sp	Shimano XT, long cage, 10sp	Shimano XT, long cage, 9sp	Shimano XT, long cage, 9sp
FRONT DERAILLEUR	Sram XX, for double 10sp	Shimano XTR, for double 10sp	Sram X0, for double 10sp	Sram X9, for double 10sp	Shimano SLX, for triple 10sp	Shimano DEORE	Shimano DEORE
CRANKSET	FSA K-Force Light Compact 386 BB30, 10sp, 42/27	FSA K-Force Light Compact 386 BB30, 10sp, 40/28	Sram X0 BB30, 10sp, 42/28, red	Sram X9 BB30, 10sp, 42/28, white	FSA Comet MegaExo, 10sp, 42/32/24	Shimano DEORE, 9sp, 44/32/22	Shimano DEORE, 9sp, 44/32/22
CHAIN	Sram PC1090	Shimano XTR	Sram PG-1051	Sram PG-1051	Shimano SLX	Kmc X9	Kmc X9
SPROCKET	Sram XX, 11-36T, 10sp	Shimano XTR, 11-36T, 10sp	Sram PG-1070, 12-36T, 10sp	Sram PG-1070, 12-36T, 10sp	Shimano SLX, 11-34T, 10sp	Shimano DEORE, 11-32T, 9sp	Shimano DEORE, 11-32T, 9sp
BRAKES	Magura Marta SL, white/blue, Storm SL 160mm rotors	Magura Marta SL, white/red, Storm SL 160mm rotors	Magura Marta SL, white/red, Storm SL 160mm rotors	Avid Elixir CR White, 160mm rotors	Magura Louise, white, Storm 160mm rotors	Shimano DEORE M595, centerlock SM-RT62 160mm rotors	Magura Louise, Storm 160mm rotors, white
WHEELS	included	included	included	included	included	included	included
OPTION WHEELS	Mavic CROSSMAX SLR Disc	Mavic CROSSMAX SLR Disc	Carbon Ti X-WHEEL MTB Alpine 32 + QR Carbon Ti X-Lock Special MTB	Carbon Ti X-WHEEL MTB Alpine 32 + QR Carbon Ti X-Lock Special MTB	Mavic XM 819 Disc, black, 32H		
REAR HUB			Sram X9	Sram X9		Shimano FH-M435-L	Shimano FH-M435-L
FRONT HUB						Shimano HB-M435-L	Shimano HB-M435-L
RIMS						Mach 1 MX Disc: White Collection, white, 32H	Mach 1 MX Disc: White Collection, white, 32H
TIRE	Hutchinson Cobra NG Tubeless Ready, 26x2.10	Hutchinson Cobra NG Tubeless Ready, 26x2.10	Hutchinson Cobra NG Tubeless Ready, 26x2.10	Hutchinson Cobra NG Tubeless Ready, 26x2.10	Hutchinson Cobra AirLight, 26x2.10	Python Original WB, 26x2.00	Python Original WB, 26x2.00
STEM	Fsa OS-99 CSI, alloy/carbon integrated	Fsa OS-99 CSI, alloy/carbon integrated	Fsa SL-K Black	Fsa SL-K Black	Fsa ST-OS-150LX	Fsa OS-190LX, shiny black color	Fsa OS-190LX, shiny black color
HANDLEBAR	Fsa K-Force Flat, carbon	Fsa K-Force Flat, carbon	Fsa XC-180 Flat White	Fsa XC-180 Flat White	Fsa XC-180 Flat White	Fsa XC-180 Flat White	Fsa XC-180 Flat White
BAR END	Token Ultra Lite PYRO Alloy	Token Ultra Lite PYRO Alloy	NO	NO	NO	NO	NO
GRIPS	Bianchi Grips, superlight foam with lock on	Bianchi Grips, superlight foam with lock on					

JUNIOR

MODEL		JUNIOR 24" ALU	Shimano 2300 16sp
CODE	Y0B42		
COLOUR	6I		
SIZES	41		
FRAMESET	Bianchi Aluminium JUNIOR 24"		
FORK	Bianchi FC07 - steel 1"		
HEADSET	Fac Michelin TEAM Threadless 13034 1" Shimano 2300		
SHIFTERS	Shimano 2300		
REAR DERAILLEUR	Shimano 2300		
FRONT DERAILLEUR	Shimano 2300		
CRANKSET	Fac Michelin YOUNG 1985T 45/35		
CHAIN	Kmc HV800		
SPROCKET	Fac Michelin PRIMATO 16/24 8sp		
BRAKES	RC-452 - black		
BRAKE LEVER	integrated		
REAR HUB	Joytech F192SB - alloy		
FRONT HUB	Joytech A1415B - alloy		
SPOKES	Inox		
RIMS	Ambrosio Balance 28h - black		
TIRE	Kenda 24"25-520		
STEM	HL-TDS-120-8		
HANDLEBAR	Junior Piaga - alloy 6061, drop 120		
GRIPS	La spirale Ribbon		
SEATPOST	HL SP 232 - 27.2mm		
SADDLE	VL-5061 White, steel version w/logo Bianchi		
PEDALS	NO		
WATERBOTTLE HANGER	Aluminium		

JUNIOR

MODEL		DUEL 24" boy	Shimano TY 18 18sp	DUEL 20" boy	Shimano TY 18 6sp
CODE	Y1B408				
COLOR	HG - HH				
SIZES	28				
FRAMESET	Bianchi Alu 24"				
FORK	HL CH-327E 20" steel suspension				
HEADSET	Neco H841SW				
SHIFTERS	Shimano SL-RS35 6sp				
REAR DERAILLEUR	Shimano Tourney RD-TY18 6sp				
FRONT DERAILLEUR	Shimano FD-TZ30				
CRANKSET	Prowheel MA-S820P 42/34/24				
CHAIN	KMC Z50				
SPROCKET	Shimano TZ20 06 6sp 14/28				
BRAKES	Artek T207DG - alloy black				
BRAKE LEVER	Promax BL-30AP - alloy/resin				
REAR HUB	Joytech JY-732DSE steel				
FRONT HUB	Joytech JY-731DSE steel				
RIMS	Alex Z-1000 black 28H				
TIRE	Duro HF-822 24"x1.75"				
STEM	HI MTS-309-5 steel black				
HANDLEBAR	MTB 153 steel black				
GRIPS	Tirreud TR-G12 soft PVC				
SEATPOST	HI SP-200 steel - 27.2mm				
SADDLE	Velo VL 5063				
PEDALS	Feimin FP-818 resin				
WATERBOTTLE HANGER	NO				

JUNIOR

MODEL		YARD 24" girl	Shimano TY 18 18sp	YARD 20" girl	Shimano TY 18 6sp
CODE	Y1B419				
COLOUR	HJ - HN				
SIZES	28				
FRAMESET	Bianchi Alu girl 24"				
FORK	Steel 24"				
HEADSET	Feimin FP-H803				
SHIFTERS	Shimano SL-RS35 6 sp				
REAR DERAILLEUR	Shimano TY-18				
FRONT DERAILLEUR	Shimano TZ30				
CRANKSET	Detail CTS3-TS343G4P5 42/34/24T				
CHAIN	KMC HV200-104				
SPROCKET	Shimano TZ20 06 6sp 14 x 28				
BRAKES	Lee-Chi TX-121 black				
BRAKE LEVER	LeeChi BG-46AP				
REAR HUB	Joytech JY-731 alloy 36T silver				
FRONT HUB	Joytech JY-732 alloy 36T silver				
RIMS	Aluminium SW silver 36H				
TIRE	Spectra C-727 24x1.75 rigid				
STEM	HI MTS-309-5 steel black				
HANDLEBAR	MTB 153 steel black				
GRIPS	Herrmans 96A				
SEATPOST	HI SP-200 steel - 27.2mm				
SADDLE	Cionlli 6582CC1C-B black				
PEDALS	Feimin FP-810				
CHAINGUARD	Peruzzo Plastic black 24"				
MUDGUARDS	Plastic SW-M03 20"				
KICKSTAND	Aluminium 20"				
REAR CARRIER	Steel 24" black 2 legs w/ spring				
FRONT CARRIER	NO				
FRONT LIGHT	Jos Sentinel battery				
REAR LIGHT	Comus LCT-33 led, battery				
PUMP	NO				
DYNAMO	NO				
BASKET	Steel colour black				

JUNIOR

MODEL		MOMO CIACIA' BOY	MOMO CIACIA' BOY	MOMO CIACIA' GIRL	MOMO CIACIA' GIRL
CODE	Y1B441				
COLOR	FD - FE				
SIZES	16"				
FRAMESET	Bianchi alloy 16" Boy				
FORK	Steel 16"				
STABILIZERS	Plastic/steel				
ACCESSORY	bell, rear and front light				

JUNIOR

MODEL		Freestyle DRAGON 2	Freestyle EAGLE
CODE	Y1B79		
COLOR	XQ		
SIZES	20"		
FRAMESET	Freestyle Steel 20"		
FORK	Full Steel 1 1/8 - 28.6 crmo blade, U-brake pivot		
CRANKSET	Crmo TUBULAR arms - 175mm		
CHAIN	Kmc Z410		
SPROCKET	Lida LMA-8 16T		
FRONT BRAKE	Tekro 907AFS - U-brake freestyle, black		
REAR BRAKE	Tekro 907AQ - U-brake freestyle, black		
BRAKE LEVER	Tekro HAL89A - right&left side, black		
FRONT HUB	Joytech A075 - black		
REAR HUB	Joytech A076 - alloy black		
RIMS	Weimann BMX ETRTO 20" 48h - black anodized		
TIRE	Kenda K-905 20x2.00		
STEM	HL-MX-413-8 drop style - black		
HANDLEBAR	HL steel		
GRIP	Velo VLG-410		
SEATPOST	Lee Chi SP-501S - 25.4mm, black		
SADDLE	Active FM-246- maya- steel rail, black		
ROTOR	Winzip DC amplifier with staineles steel hanger		
PEG	LPG-8304S steel		
PEDAL	UP-205 9/16" crmo axle w/reflector		

BIANCHI DISTRIBUTORS

ARGENTINA
RODADOS AURORA S.A.
JOSE ALICO 537, 1770 ALDO BONZI,
LA MATANZA PCIA. - BUENOS AIRES - ARGENTINA
Ph. +54 1 4442-3447
E-Mail: aurora@rodados-aurora.com.ar
Website: www.rodadosaurora.com.ar

AUSTRALIA
SOLA SPORT PTY LTD
UNIT 7, 149-163, MITCHEL INDUSTRIAL ESTATE, MITCHEL RD, ALEXANDRIA, NSW 2015, AUSTRALIA
Ph. +61 2 9550 1655
E-Mail: info@solaspport.com.au
Website: www.solaspport.com.au

AUSTRIA
F.I.V. EDOARDO BIANCHI S.p.A.
VIA DELLE BATTAGLIE, 5
24047 TREVIGLIO (BG) - ITALY
Ph. 08001821617 (toll free number)
E-Mail: paradiso@bianchi.com
Website: www.cycleurope.at

BELGIUM – LUXEMBOURG
CYCLEUROPE INDUSTRIES S.A.
161, RUE GABRIEL PERI – BP 108
F- 10104 ROMILLY SUR SEINE - FRANCE
Ph. +33 3 25 39 39 39
E-Mail: cycleurope@cycleurope.fr
For Flemish customers:
Ph. +31 53 4280818
E-Mail: Kitty.Schanssem@cycleurope.fr, bianchi@skynet.be
Website: www.cycleurope.be

BELARUS
"TRADING NETWORK" "MOTOVELO" CJSC
PARTIZANSKY AVE., 23, 1H-201 MINSK
MINSK 220765, REPUBLIC OF BELARUS,
Ph. +375 17 292 64 24
E-Mail: bianchi@motovelo.by

BRAZIL
ABDUGH NADIA ME
RUA TITO, 1641 VILA ROMANA
05051-000 SAO PAULO - BRAZIL
Ph. +55 11 36419566
E-Mail: bianchibrasil@terra.com.br

CANADA
EUROCYCLE INC.
105 FRINI COURT
WOODBIDGE, ONTARIO, CANADA L4H 2V6
Ph. #416-418-5000
E-Mail: enzo@eurocycle.ca
Website: www.eurocycle.ca

CHINA
CHEUNG KEE CYCLE COMPANY
NO 1B, G/F, FUK YIP BUILDING
NO 12, KIK YEUNG ROAD
YUEN LONG - N.T. HONG KONG SAR
Ph. +852 24746794 - 24753047
E-Mail: ckcycle@netvigator.com

SUZHOU YAMA BICYCLES CO. LTD
67, FU-DA ROAD, LU-DU TOWN
TAI-CANG CITY 215412, JIANG-SU PROVINCE – CHINA
Ph. +86 512 5345 6988
E-Mail: carol.chien@oyama.com.cn

CZECH REPUBLIC
TERM SPOL S.R.O.
SVEHLLOVA 1719/80
664 51 SLAPANICE (CZECH REPUBLIC)
Ph. +420 544 422751
E-mail : umlasek@termczm.cz

CYPRUS
POLYS POUMBOURIS & CO. LTD
MAKEDONITISSIS 84 ABC
STROVLOS - NICOSIA - CYPRUS
Ph. +357 22 511171
E-Mail: polysp@cycatanet.com.cy
Website: www.polysbikes.com

DENMARK
CYCLEUROPE DANMARK
BØRGE KILDEMOES CYKELFABRIK A/S
ALBANIVEJ 7 - NR. LYNDELSE
DK 5792 ÅRSLEV - DENMARK
Ph. +45 63 90 26 20
E-Mail: info@kildemoes.dk
Website: www.cycleurope.dk

ESTONIA
BALTI AUTOOSAD AS
PORGUVAELJA TEE 4F,
RAE VALD, HARJUMAA
75306 LEHMJA KUELA (ESTONIA)
Ph. +372 6 200600
E-Mail: ragnars@autoparts.ee

FINLAND
CYCLEUROPE FINLAND OY
SARKATIE 1 A
01720 VANTAA - FINLAND
Ph. +358 9 849 2055
E-Mail: info@cycleurope.fi
Website: www.cycleurope.fi

INDONESIA
PT ACE HARDWARE INDONESIA TBK
JL. PURI KENCANA NO.1 MERUYA
KEMBANGAN, JAKARTA 11610 - INDONESIA
Ph. +62 21 582 2222
E-Mail: ask_ace@acehardware.co.id
Website: www.acehardware.co.id

FRANCE
CYCLEUROPE INDUSTRIES S.A.
161, RUE GABRIEL PERI – BP 108
F- 10104 ROMILLY SUR SEINE - FRANCE
Ph. +33 3 25 39 39 39
E-Mail: cycleurope@cycleurope.fr

GERMANY
F.I.V. EDOARDO BIANCHI S.p.A.
VIA DELLE BATTAGLIE, 5
24047 TREVIGLIO (BG) - ITALY
Ph. 08001821617
E-Mail: info@bianchi.com
Website: www.cycleurope.de

GREECE
CYCLOPODILATIKI S.A
MINOTAUROU 16, SFAGEIA
THESSALONIKI, 54627 (GREECE)
Ph. +302310.535821
E-Mail: cyclogr@otenet.gr

HONG KONG
CHEUNG KEE CYCLE COMPANY
NO 1B, G/F, FUK YIP BUILDING
NO 12, KIK YEUNG ROAD
YUEN LONG - N.T. HONG KONG SAR
Ph. +852 24746794 - 24753047
E-Mail: ckcycle@netvigator.com
Website: www.bianchi.hk., www.freebike.net.

HUNGARY
BIKELINE LTD.
H-1211 BUDAPEST
KÖZPONTI RD. 22
Ph. +36 20 5 410 420
E-Mail: bianchi@bikeline.hu
Website: www.bikeline.hu, www.bianchishop.hu

INDIA
TUBE INVESTMENTS OF INDIA
UNIT: TI CYCLES OF INDIA
PO BOX 5, M.T.H.ROAD
AMBATTUR, CHENNAI 600053 - INDIA
Ph. +91 44 52087669
FAX +91 44 52093344
E-Mail: info@trackandtrail.in
Website: www.trackandtrail.in, www.ticyclesindia.com

INDONESIA
PT ACE HARDWARE INDONESIA TBK
JL. PURI KENCANA NO.1 MERUYA
KEMBANGAN, JAKARTA 11610 - INDONESIA
Ph. +62 21 582 2222
E-Mail: ask_ace@acehardware.co.id
Website: www.acehardware.co.id

IRELAND
VELOWORLD LTD.
TERRAPIN, THE MURROUGH
WICKLOW TOWN - IRELAND
Ph. +353 404 69166
E-Mail: veloworld@eircom.net

ITALY
F.I.V. EDOARDO BIANCHI S.p.A.
VIA DELLE BATTAGLIE, 5
24047 TREVIGLIO (BG) - ITALY
Ph. +39 0363 3161
E-Mail: bianchi@bianchi.com
Website: www.bianchi.com

JAPAN
CYCLEUROPE JAPAN CO. LTD.
KAIKA BLDG. 2F-7-1 2 CHOME SOTOKANDA
CHIYODA-KU, TOKYO 101-0021
Ph. +81 (03) 3255 2431
E-Mail: info@cycleurope.co.jp
Website: www.cycleurope.com

KOREA
DAEJIN INTERNATIONAL
977-6, DAEJAM-DONG, NAM-GU, POHANG
CITY GYEONGSANGBUK-DO 790-826,
SOUTH KOREA
Ph. 82-54-275-2216
E-Mail: info.bianchi@yahoo.co.kr
Website: www.bianchikorea.co.kr

MALTA
MAGRI CYCLES & SPARES
148 B 155, EUCHARISTIC CONGRESS ROAD
MST/07 MOSTA - MALTA
Ph. +356 21 414399
E-Mail: magri@nextgen.net.mt
Website: www.magricycles.com

NETHERLANDS
CYCLEUROPE INDUSTRIES SA
MARSTEDEN 29
NL 7547 TE ENSCHEDE - THE NETHERLANDS
Ph. 0900-2025764
E-Mail: info@cycleurope.nl
Website: www.bianchi.nl

NEW ZEALAND
SOLA SPORT NZ LTD
COMPANY NO. 2357676
333 UNITY B EAST TAMAKI ROAD,
EAST TAMAKI, AUCKLAND, 2013,
NEW ZEALAND
E-Mail: info@solaspport.com.au

NORWAY
CYCLEUROPE NORGE A.S
P.O. BOX 385
N 4303 SANDNES - NORWAY
Ph. +47 51 60 45 00
E-Mail: info@dbs.no
Website: www.cycleurope.no

POLAND
DEL SPORT SP. Z O.O.
UL. SYROKOMLI 16
03-335 WARSZAWA / POLAND
Ph. +4822 811 01 02
E-Mail: del.sport@delsport.pl
Website: www.delsport.pl

PORTUGAL
VIEIRA GRACA & CA LDA
VIA INDUSTRIAL II, LOTE 7
ZONA INDUSTRIAL ALFERRAREDE
2200-293 ABRANTES (PT)
Ph. 00351 241371766
E-mail: vieira.graca.jb@gmail.com
Website: www.vieiragraca.com

RUSSIA
VELOSPORT LLC
DOMODEDOVSKAYA ST. 28
115582 MOSCOW - RUSSIA
Ph. +7 495 2234328
E-Mail: 7722020@gmail.com

SERBIA
HYDROART
NEGOSSEVA 45
BELGRADE 11000 SERBIA
Ph. +381 112441310
E-Mail: kilir@eunet.rs
Website: www.hydroart.co.rs

SINGAPORE
KIAN HONG CYCLE PLE LTD
3 KAKI BUKIT ROAD 1, B1-05 EJUNOS
TECHNOLINK - SINGAPORE 415935
Ph. +65 67495787
E-Mail: smiek@khcycle.com.sg
Website: www.khcycle.com.sg

SLOVAKIA
NORBERT KIRSCHNER - SPORTTOUR
SEVCENKOVA 24
85101 BRATISLAVA (SLOVAK REPUBLIC)
Ph. +421915956794
E-Mail: info@sporttour.sk
Website: www.bianchi.sk

SLOVENIJA
A2U D.O.O.
POSLOVNA CONA A53
4208 SENCUR, SLOVENIA
Ph. + 386 1 513 23 42 / + 386 4 255 91 70
E-Mail: info@a2u.si
Website: www.a2u.si

SOUTH AFRICA
CYCLING J&J (PTY) LTD
169 MEERLUST SREET
WILLOW GLEN – SOUTH AFRICA
Ph. +27 (012) 807 5570
E-Mail: info@jjcycling.co.za
Website: www.jjcycling.co.za

SPAIN
CONTORN S.L.
C/JOSEPH ESTIVILL 64-68 BJ
08027 BARCELONA - SPAIN
Ph. (34) 93 209 03 44
E-Mail: contorn@contorn.com
Website: www.contorn.com

SWEDEN
MONARK EXERCISE AB
KROONS VAG 1
S-780 50 VANSBRO (SWEDEN)
Ph. +46 281 594940
E-Mail: info@monarkexercise.se
Website: www.monarkexercise.se

SWITZERLAND + LIECHTENSTEIN
VELOSPORT LLC
DOMODEDOVSKAYA ST. 28
115582 MOSCOW - RUSSIA
Ph. +7 495 2234328
E-Mail: 7722020@gmail.com

TAIWAN
XIN MENG CO., LTD.
NO.72,SHUANGING ST.,YUANLIN TOWN,
CHANGHUA COUNTY 510- TAIWAN R.O.C.
Ph. +886-4-8376618
E-Mail: bianchi-tw@umail.hinet.net
Website: www.xin-meng.chhg.net

THAILAND
UWC LTD. (TCA)
3656/35-36, 11TH FLOOR GREEN TOWER,
RAMA 4 RD., KLONGTOEY
BANGKOK 10110 - THAILAND
Ph. +66 2 367 3470
E-Mail: kanate@uniwave.net
Website: www.thairb.com, www.tcabike.com

UKRAINE
MFK LTD
GEROEV STALINGRADA STR., 156-A
DNEPROPETROVSK 49057, UKRAINE
Ph. +38 0567 885858
E-Mail: velo@mfk.com.ua
Website: www.mfksport.com

Box for stamp/label of the dealer



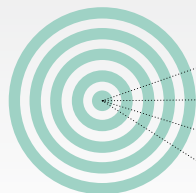
Oltre BEYOND YOUR LIMIT.



Extreme racing performance.

PCO

OLTRE TARGETS.



- **Super light:** Optimal performance in the climbs
- **Super rigid frame:** Improved acceleration and power transmission
- **Aero shape:** Bianchi aerodynamic design for more speed
- **100% HoC category:** Professional racing performance



F.I.V. E. BIANCHI S.p.A.
Via delle Battaglie, 5 IT 24047 Treviglio (BG)
ph +39 0363 3161 fax +39 0363 303680
www.bianchi.com bianchi@bianchi.com

Bianchi
PASSIONE CELESTE

